

TEKA



RBF 73351 FI WH

EN, FR, DE, PT, ES

www.teka.com

LANGUAGES

English	1
Español	22
Portuguese	43
Deutsch	64
Français	85

Content

GUIDELINES CONCERNING THE SAFETY OF USE.....	2
INSTALLATION AND OPERATING CONDITIONS OF THE APPLIANCE	6
UNPACKING	8
DISPOSAL OF OLD APPLIANCE	8
CONTROLS	9
OPERATION AND FUNCTIONS	11
USING THE REFRIGERATOR EFFICIENTLY	13
DEFROSTING, WASHING AND MAINTENANCE	15
TROUBLE-SHOOTING	17
INSTALLATION INSTRUCTION	19

GUIDELINES CONCERNING THE SAFETY OF USE

- The appliance is intended for household use only.
- The manufacturer reserves the right to introduce changes which do not affect the operation of the appliance.
- Some provisions in this user manual are unified for refrigerating products of different types (for a refrigerator, refrigerator-freezer or freezer)
- The Manufacturer shall not be held liable for damage arising from the failure to observe the instructions contained in this manual.
- Keep this manual for future reference, or to pass it over to the next user.
- This appliance is not intended for use by persons (including children) with limited physical or mental capabilities and persons who lack experience or familiarity with the appliance.
- Do not allow children to use the appliance. Do not allow them to play with the appliance. They must not climb inside the drawers and swing on the doors.
- The appliance operates properly at the ambient temperature (see product fiche). Do not use it in the cellar, unheated summer cottage during autumn and winter.
- When placing, moving, lifting the appliance, do not hold the door handles, do not pull the condenser at the rear part of the refrigerator and do not touch the compressor unit.
- When transporting, moving or positioning the fridge-freezer do not tilt it by more than 40° from the vertical position. Should such a situation occur, the appliance should be switched on after minimum 2 hours from its replacement in the right position (fig.2).
- Pull the plug out from the mains socket before each maintenance activity. Do not pull on the cord, but hold the body of the plug instead.
- The “cracking” sound, which the appliance may emit is caused by the expansion and contraction of parts as a result of temperature variations.
- For safety reasons do not repair the appliance yourself.

Repairs carried out by persons who do not have the required qualifications may result in serious danger for the user of the appliance.

- Air the room in which the appliance is placed for a few minutes (the size of the room for a product containing isobutane/R600a must be at least 4m³) to avoid damage to the cooling system.
- Do not refreeze partly thawed products.
- Do not store beverages in bottles and cans, especially carbonated beverages, in the freezer chamber. The cans and the bottles may explode.
- Do not put frozen products, taken out directly from the freezer (lollies, ice cubes, etc.) into your mouth, their low temperature may cause severe frostbite.
- Make sure you do not damage the cooling system, by puncturing the refrigerant pipes in the evaporator or breaking the pipes. The refrigerant is flammable. If the refrigerant makes contact with the eyes, rinse them with clean water and call for medical assistance immediately.
- If the power wire gets broken, it should be replaced with a new one in a specialist repair shop.
- This appliance is intended for food storage, do not use it for other purposes.
- When performing activities, such as cleaning, maintenance or moving, the appliance must be completely disconnected from power supply (by pulling the plug out from the socket)
- This appliance can be used by children aged 8 years and older or by persons with physical, mental or sensory handicaps, or by those who are inexperienced or unfamiliar with the appliance, provided they are supervised or have been instructed how to safely use the appliance and are familiar with risks associated with the use of the appliance. Ensure that children do not play with the appliance. Cleaning and maintenance of the appliance should not be performed by children unless they are 8 years or older and are supervised by a competent person.
- In order to obtain more space in the freezer, you can remove the drawers and place the food directly on the shelves. This has no effect on the product mechanical

properties and cooling performance. Declared freezer capacity was calculated with the drawers removed.






WARNING: Risk of fire / flammable materials

- Children aged from 3 to 8 years are allowed to load and unload refrigerating appliances.

To avoid contamination of food, please respect the following instructions:

- Opening the door for long periods can cause a significant increase of the temperature in the compartments of the appliance.
- Clean regularly surfaces that can come in contact with food and accessible drainage systems.
- Store raw meat and fish in suitable containers in the refrigerator, so that it is not in contact with or drip onto other food.
- Two-star frozen-food compartments are suitable for storing pre-frozen food, storing or making ice-cream and making ice cubes.
- One-, two- and three-star compartments are not suitable for the freezing of fresh food

	Compartments TYPE	Target storage temp.[°C]	Appropriate food
1	Fridge	+2≤+8	Eggs, cooked food, packaged food, fruits and vegetables, dairy products, cakes, drinks and other foods are not suitable for freezing.
2	Freezer 	≤-18	Seafood (fish, shrimp, shellfish), freshwater aquatic products and meat products (recommended for 3 months, the longer the storage time, the worse the taste and nutrition), suitable for frozen fresh food.
3	Freezer 	≤-18	Seafood (fish, shrimp, shellfish), freshwater aquatic products and meat products (recommended for 3 months, the longer the storage time, the worse the taste and nutrition), are not suitable for frozen fresh food.
4	Freezer 	≤-12	Seafood (fish, shrimp, shellfish), freshwater aquatic products and meat products (recommended for 2 months, the longer the storage time, the worse the taste and nutrition), are not suitable for frozen fresh food

5	Freezer (⊗)	≤ -6	Seafood (fish, shrimp, shellfish), freshwater aquatic products and meat products (recommended for 1 months, the longer the storage time, the worse the taste and nutrition), are not suitable for frozen fresh food.
6	0- star compartment	$-6 \leq 0$	Fresh pork, beef, fish, chicken, some packaged processed foods, etc. (Recommended to eat within the same day, preferably no more than 3 days). Partially encapsulated processed foods (non-freezable foods)
7	Chill	$2 \leq +3$	Fresh/frozen pork, beef, chicken, freshwater aquatic products, etc. (7 days below 0°C and above 0°C is recommended for consumption within that day, preferably no more than 2 days). Seafood (less than 0 for 15 days, it is not recommended to store above 0°C)
8	Fresh Food	$0 \leq +4$	Fresh pork, beef, fish, chicken, cooked food, etc. (Recommended to eat within the same day, preferably no more than 3 days)
9	Wine	$+5 \leq +20$	red wine, white wine, sparkling wine etc.

- Note: please store different foods according to the compartments or target storage temperature of your purchased products.
- If the refrigerating appliance is left empty for long periods, switch off, defrost, clean, dry, and leave the door open to prevent mould developing within the appliance.
- Water dispenser cleaning (special for water dispenser products): Clean water tanks if they have not been used for 48 h; flush the water system connected to a water supply if water has not been drawn for 5 days.
- Pursuant to Commission Regulation (EU) 2019/2019, the minimum availability period for spare parts necessary to repair the appliance is 7 or 10 years depending on the type and purpose of the spare part.
- The list of spare parts and the ordering procedure are available on the websites of the manufacturer, importer or an authorized representative.
- For more information about the product, please refer to the EU EPREL Product Database at <https://eprel.ec.europa.eu>. For more information, please use your mobile device to scan the QR code on the energy label or enter the product model listed on the energy label in the EPREL search engine <https://eprel.ec.europa.eu/>

INSTALLATION AND OPERATING CONDITIONS OF THE APPLIANCE

This refrigeration appliance is intended for use as a built-in appliance.

Installation before using the appliance for the first time

- Take the product out of the package, remove the scotch tape protecting the door and the equipment. Any remaining adhesive stains may be removed with a mild washing agent.
- Do not throw away the polystyrene elements of the packaging. If it is necessary to transport the fridge-freezer, pack it in the polystyrene elements and film as well as protecting it with scotch tape
- Clean the interior surface of the fridge-freezer and the elements of the equipment with a washing agent dissolved in lukewarm water, then wipe it dry.
- Place the fridge-freezer on an even, flat and stable surface, in dry, aired and shaded room, far from the heat sources such as: oven, hob, central heating radiators, central heating pipes, hot water installation, etc.
- On the exterior surface of the product may be a protective foil, this foils should be removed.
- Make sure the appliance is placed in a horizontal position by screwing in the 2 adjustable front legs (fig. 3)
- To ensure that the door opens freely, the distance between the side of the appliance (on door hinges side) and the wall is shown on figure 5.*
- Ensure adequate ventilation of the room and free air circulation from all sides of the appliance (fig. 6).*

Minimum distances from the heat sources

- from the electric gas and other ovens - 30 mm,
- from oil or coal fired ovens - 300 mm,
- from built-in ovens - 50 mm

If there is no possibility of ensuring the above- mentioned distances, provide an appropriate insulation board.

Warning:

- The rear wall of the refrigerator, in particular, the condenser and other elements of the cooling system must not contact other elements, which may damage them, (e.g. central heating pipes and the water supply pipes).
- It is forbidden to readjust or modify any parts of the unit. It is crucial not to damage the capillary tube visible in the compressor recess. The tube may not be bent, straightened or wound.
- If the capillary tube is damaged by the user the guarantee will be void (fig. 8).
- In some models the handle is put into the appliance, You should screw it with Your own screwdriver,

Mains connection

- Prior to connection, it is recommended to set the temperature control knob to an „OFF” or other position that disconnects the appliance from the power supply (See page with the control description).
- This appliance should be connected to AC 220-240V 50Hz supply socket. The socket must be fitted properly, and must be supplied with an earthing conduit and a 10A fuse.

- It is a legal requirement that the appliance is properly earthed. The manufacturer will not be held liable for any damage or injury which may result from the failure to fulfil this requirement.
- Do not use adapters, multiple sockets and two-wire extension leads. If it is necessary to use the extension lead, it must be equipped with a protection ring and a single socket and must have a VDE/GS safety certificate.
- If an extension lead is used (with a protection ring and safety certificate), its socket must be located at a safe distance, away from the sinks, and must not be in a place where it could be flooded by water or waste water.
- See the type plate at the lower part of the internal wall of the appliance for detailed specifications**.

Disconnecting the mains

Make sure the appliance can be easily disconnected from the mains, either by pulling the plug out of the mains socket, or by switching the two-pole switch off (fig. 9).

Climate range

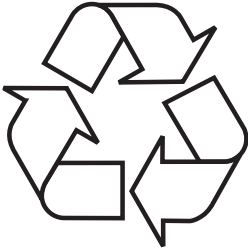
The information about the climate range of the appliance is provided on the rated plate. It indicates at which ambient temperature (that is, room temperature, in which the appliance is working) the operation of the appliance is optimal (proper).

Climate class		Allowable ambient temperature
SN	Extended Temperate	This refrigeration appliance is intended for use at an ambient temperature ranging between 10°C and 32°C
N	Temperate	This refrigeration appliance is intended for use at an ambient temperature ranging between 16 °C and 32°C
ST	Subtropical	This refrigeration appliance is intended for use at an ambient temperature ranging between 16 °C and 38 °C
T	Tropical	This refrigeration appliance is intended for use at an ambient temperature ranging between 16 °C and 43 °C

* Only free-standing appliances

** According to the model

UNPACKING



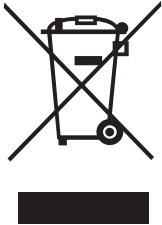
100% recyclable and are marked with the appropriate symbol.

Important! Packaging materials (bags, polyethylene, polystyrene, etc.) should be kept away from children during unpacking.

During transportation, protective packaging was used to protect the appliance against any damage. After unpacking, please dispose of all elements of packaging in a way that will not cause damage to the environment.

All materials used for packaging the appliance are environmentally friendly; they are

DISPOSAL OF OLD APPLIANCE



In accordance with European Directive 2012/19/EU and local legislation regarding used electrical and electronic goods, this appliance is marked with the symbol of the crossed-out waste container. This marking indicates that the appliance must not be disposed of together with other household waste after it has been used.

The user is obliged to hand it over to waste collection centre collecting used electrical and electronic goods. The collectors, including local collection points, shops and local authority departments provide recycling schemes.

Proper handling of used electrical and electronic goods helps avoid environmental and health hazards resulting from the presence of dangerous components and the inappropriate storage and processing of such goods.

CONTROLS

Appliance controls

The control panel is shown in figure 10. For reference it is also shown below:



Adjust temperature inside the appliance

1. When connected to the power supply the appliance starts at setting 4.
2. When you open the refrigerator door, the control panel backlight turns on and the lighting in the refrigerator compartment is on. The fan in the refrigerator switches off. After 1 minute of opening the door you will hear a beeping alarm. After about 7 minutes of opening the door the lighting turns off. Touch the switch to turn on the lighting again. When the refrigerator door is opened the control panel is illuminated. When you close the door, the light is turned off immediately, and the control panel backlight turns off after 1 minute.
3. Press ① to adjust the temperature inside the chamber. Select the setting from 1 to 6. 1 — the highest temperature; 6 — the lowest temperature.
4. Press and hold ② for 3 seconds to turn off the appliance. The button lights up and the power is disconnected. Lighting inside the refrigerator chamber and the compressor turn off. Press and hold the button for 3 seconds to turn on the appliance again. Indicator lights up when the power is on.
5. Frost-free models feature the forced defrost function. To carry out cleaning or maintenance, remove frost from the freezer evaporator. Simultaneously press and hold the ① and ② buttons for 3 seconds to enable the forced defrosting. The ① button will flash. The function will deactivate when the temperature reaches 10~12°C. Simultaneously press and hold the ① and ② buttons for 3 seconds turn off the forced defrost function at any time. The button stops flash-ing.
6. This appliance can display errors and sound an alarm. In the event of an error, an error code is displayed on the temperature display and the appliance continues to operate.

Additional information on the temperature

- The temperature inside the appliance is influenced by many factors. How you set the temperature control dial depends on the ambient temperature, sun exposure, how often you open the door and the amount of food stored. The middle setting of the dial is most optimal in most cases.
- Do not put food into the fridge freezer before it has reached its operating temperature, which takes minimum 4 hours.
- Do not change the temperature settings due to the change in the season of the year. The ambient temperature increase will be detected by the sensor and the compressor will be switched on automatically for a longer period of time in order to maintain the temperature set inside the chambers.
- The slight changes in temperature are perfectly normal and may occur, for instance during the storage of great quantities of fresh products in the fridge, or when the door is open for a longer period of time. This will not affect the condition of the stored foodstuff, and the temperature will quickly return to its set value.

Adjust the humidity level inside the VitControl box

(Fig. 17)

Various products, such as fruit or vegetables, require a suitable level of humidity in order to stay fresh longer. VitControl box is equipped with a slider (Fig. 17), so the box can be supplied with more air, which will change the humidity level inside the box.

1. Box cover
2. Air supply adjusting slider
3. Vegetable box front

Fruits require lower humidity level, therefore air supply must be opened with a slider. With vegetables it is the other way round, to keep them fresh longer, you should close the air flow with a slider. The exact slider position depends on your own preferences.

PS: The above statement only available when the product have humidity controller.

OPERATION AND FUNCTIONS

Storage of food in the fridge-freezer

- The products should be placed on plates, in containers or packed in food wrap. Distribute them evenly over the shelves.
- If the food contacts the rear wall, it may cause frosting or wetting of the products.
- Do not put dishes with hot food into the fridge
- Products which absorb flavours easily such as butter, milk, white cheese and products with intense flavour, such as fish, smoked meat, hard cheese must be placed on shelves, packed in food wrap or in tightly sealed containers.
- The storage of vegetables containing significant quantities of water will cause the deposition of condensation on the vegetable containers, it does not impact on the proper functioning of the fridge.
- Before putting the vegetables into the fridge, dry them well.
- Excessive moisture shortens the shelf life of vegetables, especially the leafed vegetables.
- Do not wash the vegetables before storing in the refrigerator. Washing removes the natural protection, therefore it is better to wash the vegetables directly before consumption.
- It is recommended to place the products in freezer drawers 1, 2, 3* up to natural loading capacity (Fig. 11a / 11b).**

1. Packed products
2. Shelf
3. Natural loading capacity
4. ❌ ❌ ❌

- Stacking of products on the freezer shelves is acceptable.*
- It is acceptable to place products beyond the natural loading capacity by 20-30 mm.**
- In order to increase the loading capacity of the freezer chamber and allow the stacking of products on the freezer evaporator wire shelves up to maximum height it is possible to remove drawers 1 and 2.*

Freezing food**

- Practically all the food products, except for vegetables consumed raw, such as lettuce can be frozen.
- Only food products of the highest quality, divided into small portions for single use, should be frozen.
- Products should be packed in materials that are odourless, resistant to air and moisture penetration, and not susceptible to fat. Plastic bags, polyethylene and aluminium sheets are the best wrapping materials.
- The packaging should be tight and should stick to the frozen products. Do not use glass containers.
- Keep fresh and warm foodstuff at ambient temperature away from the products, which have already been frozen.
- We advise you not to place more of fresh food at a time to the freezer per day (see table with technical specification).
- In order to maintain optimum quality of the frozen food, reorganise the food that is in the middle of the freezer, so that it does not touch the products that are not yet frozen.
- It is recommended that you move the already frozen products to one side and place the fresh products that are to be frozen on the opposite side, as close to the rear and side walls as possible.

- To freezing products, use space marked **✱**✱**.
- Bear in mind that the temperature in the freezer is affected by several factors, including the ambient temperature and the quantity of food products in the chamber, the frequency of opening the door, the amount of frost in the freezer, and the thermostat setting.
- If you cannot open the freezer door immediately after closing it, allow 1-2 minutes for the negative pressure to compensate, and try again to open the door.

The storage time for frozen products depends on their quality before freezing when fresh, and on the storage temperature. The following storage periods are recommended when the temperature of -18°C or lower is maintained:

Products	Months
Beef	6-8
Veal	3-6
Giblets	1-2
Pork	3-6
Poultry	6-8
Eggs	3-6
Fish	3-6
Vegetables	10-12
Fruit	10-12

Do not store frozen food in rapid cooling chamber. Ice cubes can be prepared and stored in this chamber.

Note: If the appliance does not have a freezer compartment (**✱**✱**), it is not suitable for freezing foodstuffs.

* Applicable to appliances with a freezer compartment at the bottom of the appliance.

** Applicable to appliances with a freezer compartment **✱**✱**

*** Not applicable to appliances with a freezer compartment marked **✱**✱**

USING THE REFRIGERATOR EFFICIENTLY

Practical everyday tips

- Do not place fridges or freezers next to radiators, heaters, stoves or in direct sunlight.
- Make sure that air vents are not covered up and clean the dust off them once or twice a year.
- Select the right temperature: 6 to 8°C in your refrigerator and -18°C in your freezer is sufficient.
- When on holiday, turn up the temperature in your fridge.
- Only open your fridge or freezer when necessary. It helps if you know what food each contains and where it is located. Return food to the fridge or freezer as soon as possible after you have used it so that it does not warm up too much.
- Wipe the inside of your fridge regularly with a cloth soaked in a mild detergent. Appliances which are not self-defrosting will require regular defrosting. Do not allow frost layers thicker than 10 mm to form.
- Keep the seal around the door clean, otherwise it will not shut properly. Always replace broken seals.

Understanding the stars



Temperature is at least -6°C; sufficient to store frozen food for about a week. Drawers or compartments marked with one star used to be a feature of (mostly) cheaper fridges.



Food can be stored at -12°C or below for 1-2 weeks without losing its taste. Not suitable for freezing food.



This rating is mainly used to store foods at -18°C or below. Can also be used to freeze up to 1 kilogram of fresh food.



This appliance is suitable for storing foods at -18°C or below and freezing larger quantities of fresh foods.

Practical tips

Due to the natural circulation of the air in the appliance, there are different temperature zones in the refrigerator chamber.

- The coldest area is directly above the vegetables drawers. Use this area for all delicate and highly perishable food e.g.:
 - Fish, meat, poultry
 - Sausage products, ready meals
 - Dishes or baked goods containing eggs or cream
 - Fresh dough, cake mixtures
 - Pre-packed vegetable and other fresh food with a label stating it should be kept at a temperature of approx 4°C.
- The warmest area is in the top section of the door. Use this for storing butter and cheese.

Food that should not be stored in a refrigerator

- Not all food is suitable for storing in the refrigerator, particularly:
 - Fruit and vegetables which are sensitive to cold, such as bananas, avocado, papaya, passion fruit, aubergines, peppers, tomatoes and cucumbers.
 - Fruit which is not yet ripe
 - Potatoes

Warning:

Example of storing the food - see figure 12.

To achieve the most effective food preservation for the longest possible time and to avoid wasting any food, position the products as shown in Figure 12. In addition, this figure illustrates the layout of drawers, baskets and shelves, which allows the most efficient use of energy.

Optimal temperature and storage conditions will extend product shelf life and optimize electricity consumption. Optimal storage temperature range should be stated on the food product packaging.

DEFROSTING, WASHING AND MAINTENANCE

Never clean the product's casing or plastic parts using solvents or strong, abrasive detergents (e.g. washing powders or creams)! Use mild liquid detergents and soft cloths only. Do not use sponges.

Defrosting the fridge***

- Frost settles on the rear wall of the fridge chamber. It is removed automatically. During the defrosting, the condensate, which contains contaminants may clog the opening in the through. Should it occur, carefully unclog the opening with the cleaning plug (fig. 13).
- The appliance operates in cycles: it refrigerates (then the frost settles on the rear wall), and defrosts (water flows down the rear wall)
- Disconnect the appliance from the mains before cleaning by removing the plug from the mains socket or switching off the fuse. Prevent water from penetrating the control panel or the light.
- Do not use defrosting aerosols. They may cause the formation of an explosive mixture, or contain solvents which may damage the plastic components of the appliance and even be harmful to health.
- Make sure the water used for cleaning does not flow into the evaporation container through the discharge opening.
- The whole appliance, except for the door gasket must be cleaned with a mild cleaning detergent. The door gasket should be cleaned with water and wiped dry.
- Wash all the accessories (vegetable containers, door shelves, glass shelves, etc.).

Defrost the freezer chamber following steps:**

- Switch of the appliance using the control panel and pull the plug out from the socket..
- Open the door and remove the food from the freezer.
- Depending on the model, pull out the drainage tube located in the bottom of the freezer compartment and place a suitable vessel underneath.
- Leave the door open, this will speed up the defrost process. Additionally, a pot with hot water (not boiling) may be placed inside the freezer compartment.
- Wash the interior of the freezer and wipe it dry.
- Switch on the appliance as per the relevant point in the manual.

Automatic fridge defrosting****

The fridge chamber has been equipped with an automatic defrosting function. However, frost may settle on the rear wall of the fridge chamber. This happens usually, when large quantities of fresh food products are stored in the fridge.

Automatic freezer defrosting****

The freezer chamber has been equipped with an automatic defrosting function (no-frost). The food is frozen in the cooled circulation air, and the moisture from the freezer chamber is discharged outside. As a result, no ice and frost is produced in the freezer and the products do not freeze on each other.

Washing the fridge and freezer chambers manually****

It is recommended to wash the fridge and freezer chambers at least once a year. This prevents the formation of bacteria and bad odours. Switch off the appliance, using button (1), remove the food from the chambers and wash them using water with a mild detergent. Then, wipe the chambers dry with a cloth.


Taking out and putting in the shelves*****

Slide the shelf out, then slide it in as much as possible so that its clamp could fit the guide groove (fig. 15).

Taking out and putting in the door shelf*****

Lift the door shelf, remove it and put it back from the top into its required position (fig. 16).

WARNING! You must not put an electric heater, a heating fan or a hair dryer into the freezer by any means.

- ** Applicable to appliances with a freezer compartment 
Not applicable to appliances with a Frost-free System.
- *** Applicable to appliances with a refrigerator compartment
Not applicable to appliances with a Frost-free System.
- **** Applicable to appliances with a Frost-free System.
- ***** Does not apply to freezers

TROUBLE-SHOOTING

Problems	Possible causes	Remedies
The appliance does not work	The electric circuit is disrupted	<ul style="list-style-type: none"> - check whether the plug is properly inserted into the socket - check whether the power cable of the appliance is not damaged - check whether there is voltage in the socket, by plugging another appliance, e.g. a night lamp - check whether the appliance is switched on by setting the thermostat to a position above 0.
The lighting inside the chamber does not work	The bulb is loose or fused (only appliances with bulb lightning type)	- fit the bulb correctly or replace it (see section above "Replacing the interior light bulb)
The appliance works continuously	Incorrect setting of the adjustment knob	- reset the knob to a lower position
	See. "Temperature inside the appliance is not low enough for description of other possible causes	See. "Temperature inside the appliance is not low enough for description of other possible remedies
Water collects in the lower part of the appliance	The water discharge opening is clogged (depending on the model)	- clean the discharge opening (see the operating manual – chapter entitled "Defrosting the fridge")
	Internal air circulation obstructed	- place the food and containers in such a way as that they do not touch the rear wall of the fridge
The appliance generates unusual noise	Incorrect levelling of the appliance	- level the appliance properly
	The appliance is touching furniture and/or other objects	- place the appliance at a location that ensures proper clearances around it

Problems	Possible causes	Remedies
Temperature inside the appliance is not low enough or too high	Incorrect setting of the adjustment knob	- reset the knob to a higher position
	The ambient temperature is higher or lower than the climate range from table with technical specification	- the appliance is adapted to operation in the climate range from table with technical specification.
	The appliance is located in a sunlit place or near heat sources	- move the appliance to another place. Observe the guidelines contained in the manual
	Too much warm food loaded at a time	- wait 72 hours until the food becomes cool (freezes) and the required temperature is reached inside the chamber
	Internal air circulation obstructed	- place the food and containers in such a way that they do not touch the rear wall of the fridge
	The air circulation at the back of the appliance is obstructed	- move the appliance min. 30 mm away from the wall
	The door of the fridge/freezer is opened too often and/or remains open for too long	- reduce the frequency of opening the door and/or shorten the time when door remains open
	The door does not close completely	- place the food and containers so that they would not interfere with door closed
	The compressor is switched on too rarely	- check whether the ambient temperature is not lower than climate class
	Door gasket inserted incorrectly	- press the gasket in

Certain sounds can be heard during normal use of the refrigerator, which do not affect its correct operation.

Sounds, which can be easily prevented:

- noise caused by the appliance which is not level - adjust the position with the adjustable turn-in front feet. Alternatively, place pads made of soft material under the rear rollers, especially when the appliance is placed on tiles.
- touching the adjacent piece of furniture - move the refrigerator away.
- creaking of the drawers or shelves - take out and put back the drawer or shelf.
- sounds of clinking bottles - move bottles apart.

Sounds heard during normal use are mainly due to operation of the thermostat, compressor (switching on) and cooling system (thermal expansion and contraction of the radiator caused by flow of the cooling agent).

INSTALLATION INSTRUCTION

REVERSING THE OPENING OF THE DOORS

Remove the upper plate and hinge by screw driver.

1



Remove the upper door.

2



Remove the middle hinge and its connecting pin underneath.

3



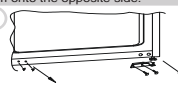
Remove the bottom door.

4



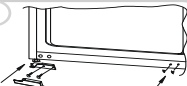
Remove the right bottom hinge and left plastic plugs, and refit them onto the opposite side.

5



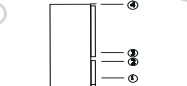
Use the opposite hinge and cover and fit into the left bottom.

6

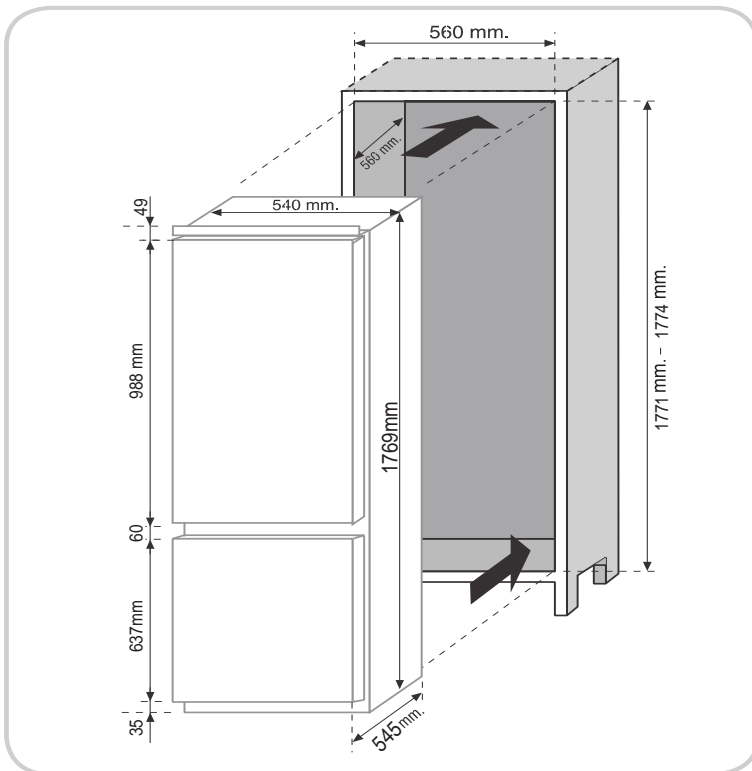


Reassemble the doors and hinges workings from bottom to top, from 1-4.

7

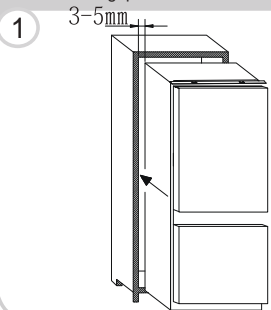


PRODUCT DIMENSIONS AND BUILT-IN COMPARTMENT

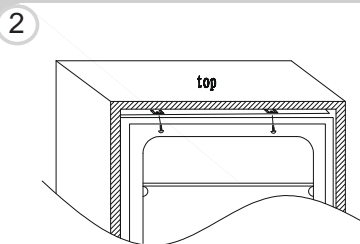


INSTALLATION OF THE APPLIANCE IN THE COLUMN

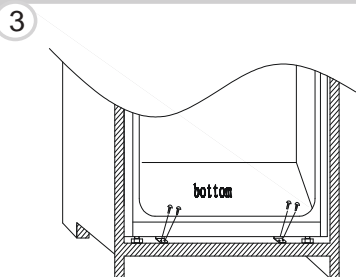
Insert the appliance into the column, placing it on the opposite site of the hinges, and make sure 3-5 mm distance gap.



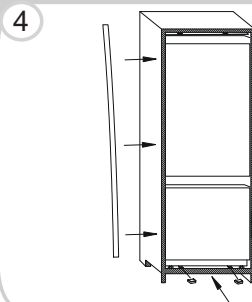
After ensuring the match between appliance door and column door, then screw the appliance upper part to the cabinet



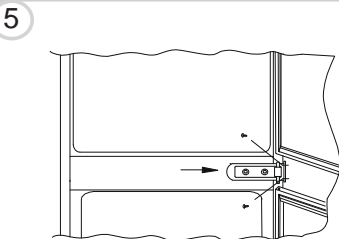
Screw the appliance lower part.



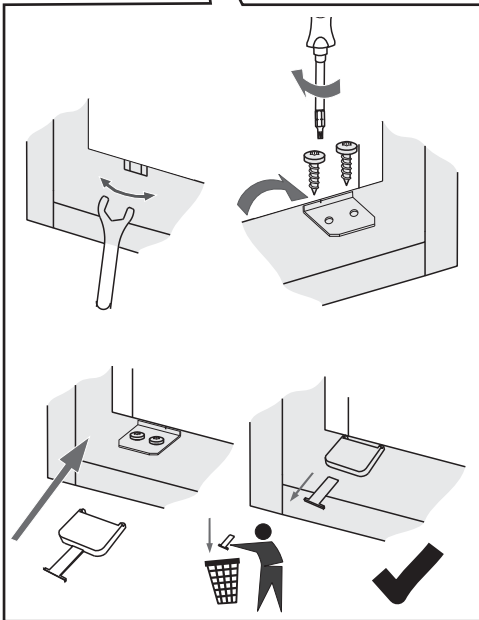
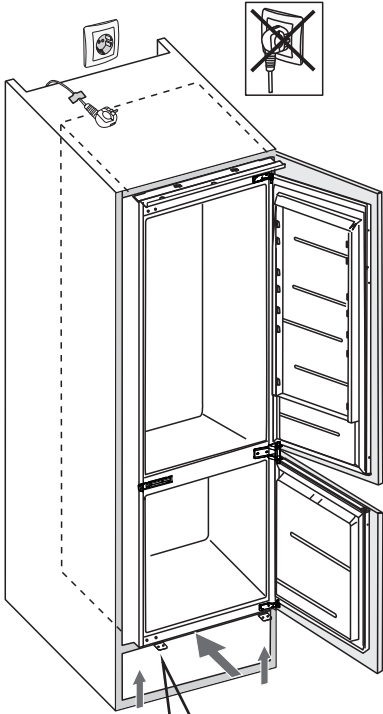
Fit the seal to the appliance, cut off the excessive part if necessary. Fit the bottom parts with plastic covers.



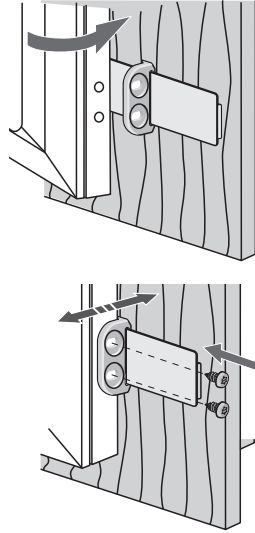
Use a cross-screwdriver to loosen the connecting pin underneath the right middle hinge, and adjust to screw onto the right cabinet wall.



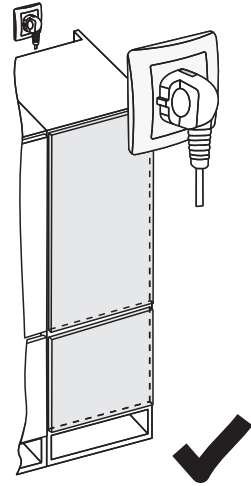
6



7



8



ES

Tabla de contenidos

DIRECTRICES DE SEGURIDAD DE USO.....	23
CONDICIONES DE INSTALACIÓN Y FUNCIONAMIENTO DEL DISPOSITIVO.....	27
DESENVOLVER.....	29
ELIMINACIÓN DE EQUIPOS VIEJOS.....	29
CONTROL.....	30
FUNCIONAMIENTO Y FUNCIONES.....	32
USAR EL REFRIGERADOR DE MANERA EFICIENTE.....	34
DESCONGELACIÓN, LAVADO Y CUIDADO.....	36
SOLUCIÓN DE PROBLEMAS.....	38
INSTALACIÓN.....	40

DIRECTRICES DE SEGURIDAD DE USO

- El aparato está diseñado únicamente para uso doméstico.
- El fabricante se reserva el derecho de realizar cambios que no afecten al funcionamiento del dispositivo.
- Algunas disposiciones de este manual de instrucciones son uniformes para el enfriamiento de productos de varios tipos (para refrigeradores, refrigeradores, congeladores o congeladores)
- El fabricante no es responsable de ningún daño causado por el incumplimiento de las instrucciones de este manual.
- Guarde este manual para futuras referencias, o entrégueselo al siguiente usuario.
- Este aparato no está diseñado para ser utilizado por personas (incluidos niños) con capacidades físicas o mentales reducidas y personas que carecen de experiencia o familiaridad con el aparato.
- No permita que los niños utilicen el aparato. No dejes que jueguen con el dispositivo. No se le permite meterse en los cajones y columpiarse en las puertas.
- El dispositivo funciona perfectamente a temperatura ambiente (ver ficha del producto). No lo use en el sótano, la casa de verano sin calefacción en otoño e invierno.
- Al configurar, mover y levantar el aparato, no sostenga las manijas de las puertas, no tire del condensador en la parte posterior del refrigerador y no toque la unidad del compresor.
- No incline el congelador más de 40° desde la posición vertical al transportarlo, moverlo o colocarlo. En caso de que se produzca tal situación, el dispositivo debe encenderse en la posición correcta después de al menos 2 horas después del reemplazo (Fig.2).
- Retire el enchufe de la toma de corriente antes de cualquier mantenimiento. No tire del cable, sino que sostenga el cuerpo del conector.
- Retire el enchufe de la toma de corriente antes de cualquier mantenimiento. No tire del cable, sino que sostenga el cuerpo del conector.
- Por razones de seguridad, no repare el dispositivo usted mismo.

Las reparaciones realizadas por personas que no tienen las calificaciones necesarias pueden suponer un grave peligro para el usuario del dispositivo.

- Ventile durante unos minutos la habitación donde se colocará el aparato (el tamaño de la habitación para un producto que contenga isobutano/R600a debe ser de al menos 4 m^3) para evitar daños en el sistema de refrigeración.
- No vuelva a congelar los productos parcialmente descongelados.
- No almacene bebidas embotelladas y enlatadas, especialmente bebidas carbonatadas, en la cámara del congelador. Las latas y botellas pueden explotar.
- No ponga productos congelados tomados directamente del congelador (caramelos, cubitos de hielo, etc.) en su boca, ya que su baja temperatura puede causar congelación severa.
- Asegúrese de no dañar el sistema de enfriamiento perforando las líneas de refrigerante en el evaporador o rompiendo las tuberías. El refrigerante es inflamable. Si el refrigerante entra en contacto con los ojos, enjuáguelos con agua limpia y llame a un médico de inmediato.
- Si el cable de alimentación está roto, debe reemplazarse por uno nuevo en un taller especializado.
- Este aparato está diseñado para el almacenamiento de alimentos, no lo use para otros fines.
- Para actividades como la limpieza, el mantenimiento o la mudanza, el aparato debe estar completamente desconectado de la fuente de alimentación (desenchufándolo de la toma de corriente)
- Este aparato puede ser utilizado por niños de 8 años o más o por personas con discapacidades físicas, mentales o sensoriales o por personas sin experiencia o no familiarizadas con el aparato, siempre que estén supervisadas o hayan recibido instrucciones sobre el uso seguro del aparato y estén familiarizadas con los riesgos asociados con el uso del aparato. Asegúrese de que los niños no jueguen con el dispositivo. La limpieza y el mantenimiento del aparato no deben ser realizados por niños a menos que tengan 8 años de edad o más y estén supervisados por una persona competente.

Para obtener más espacio en el congelador, puede quitar los cajones y poner la comida directamente en los estantes. Esto no afecta las propiedades mecánicas y la capacidad de enfriamiento del producto. La capacidad de congelación declarada se calculó con los cajones retirados.


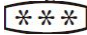



ADVERTENCIA: Peligro de incendio / materiales inflamables

- Los niños entre las edades de 3 y 8 años pueden cargar y descargar refrigeradores.

Para evitar la contaminación de los alimentos, tenga en cuenta las siguientes instrucciones:

- La apertura prolongada de la puerta puede conducir a un aumento significativo de la temperatura en los compartimentos del dispositivo.
- Limpie regularmente las superficies que puedan entrar en contacto con alimentos y sistemas de drenaje accesibles.
- Guarde la carne y el pescado crudos en recipientes adecuados en el refrigerador para que no entren en contacto o goteen sobre otros alimentos.
- Los compartimentos de congelación de dos estrellas son adecuados para almacenar alimentos congelados, almacenar o hacer helados y hacer cubitos de hielo.
- Los compartimentos de una, dos y tres estrellas no son adecuados para congelar alimentos frescos

	Compartimentos ART	Temperatura de almacenamiento o objetivo [OC]	Alimentación adecuada
1	Refrigerador	+2≤+8	Los huevos, los alimentos cocidos, los alimentos envasados, las frutas y verduras, los productos lácteos, los pasteles, las bebidas y otros alimentos no son adecuados para la congelación.
2	Congelador 	≤-18	Mariscos (pescados, camarones, mariscos), productos acuáticos de agua dulce y productos cárnicos (recomendados durante 3 meses, cuanto mayor sea el tiempo de almacenamiento, peor será el sabor y el valor nutricional), adecuados para alimentos frescos congelados.
3	Congelador 	≤-18	Los mariscos (pescado, camarones, mariscos), los productos acuáticos de agua dulce y los productos cárnicos (recomendados durante 3 meses, cuanto más largo sea el período de almacenamiento, peor será el sabor y el valor nutricional) no son adecuados para alimentos frescos congelados.
4	Congelador 	≤-12	Los mariscos (pescado, camarones, mariscos), productos acuáticos de agua dulce y productos cárnicos (recomendados durante 2 meses, cuanto más largo sea el período de almacenamiento, peor será el sabor y el valor nutricional) no son adecuados para alimentos frescos congelados.

5	Congelador	≤ -6	Los mariscos (pescados, camarones, mariscos), los productos acuáticos de agua dulce y los productos cárnicos (recomendados para 1 mes, cuanto mayor sea el tiempo de almacenamiento, peor será el sabor y el valor nutricional) no son adecuados para alimentos frescos congelados.
6	Compartimento de 0 estrellas	$-6 \leq 0$	Carne fresca de cerdo, res, pescado, pollo, algunos alimentos procesados envasados, etc. (Se recomienda comer el mismo día, preferiblemente no más de 3 días). Alimentos procesados parcialmente encapsulados (alimentos no congelables)
7	Frío	$2 \leq +3$	Se recomienda el consumo de carne de cerdo fresca / congelada, carne de res, pollo, productos acuáticos de agua dulce, etc. (se recomienda el consumo de 7 días por debajo de 0°C y por encima de 0°C dentro de este día, preferiblemente no más de 2 días). Mariscos (menos de 0 durante 15 días, no se recomienda almacenarlos por encima de 0°C)
8	Alimentos frescos	$0 \leq +4$	Carne fresca de cerdo, ternera, pescado, pollo, alimentos cocidos, etc. (Se recomienda comer el mismo día, preferiblemente no más de 3 días)
9	Vino	$+5 \leq +20$	Vino tinto, vino blanco, vino espumoso, etc.

- Nota: Almacene diferentes alimentos según la composición o la temperatura de almacenamiento de destino de sus productos comprados.
- Si el refrigerador está vacío durante mucho tiempo, apáguelo, descongele, límpielo, séquelo y deje la puerta abierta para evitar el crecimiento de moho en la unidad.
- Limpieza de dispensadores de agua (especialmente para productos dispensadores de agua): limpie los tanques de agua si no se han utilizado durante 48 horas; Enjuague el sistema de agua conectado a una conexión de agua si no se ha tomado agua durante 5 días.
- De acuerdo con el Reglamento (UE) 2019/2019 de la Comisión, el período mínimo de disponibilidad de las piezas de repuesto necesarias para la reparación del equipo es de 7 o 10 años, dependiendo del tipo y el uso previsto de la pieza de repuesto.
- La lista de piezas de repuesto y el procedimiento de pedido se pueden encontrar en los sitios web del fabricante, importador o un representante autorizado.
- Puede encontrarse más información sobre el producto en la base de datos de productos EPREL de la UE en <https://eprel.ec.europa.eu>. Para obtener más información, escanee el código QR de la etiqueta energética con su dispositivo móvil o introduzca el modelo de producto que figura en la etiqueta energética en el motor de búsqueda EPREL <https://eprel.ec.europa.eu/>

CONDICIONES DE INSTALACIÓN Y FUNCIONAMIENTO DEL DISPOSITIVO

Esta unidad de refrigeración está diseñada para su uso como un aparato incorporado.

Instalación antes del primer arranque del dispositivo

- Retire el producto del embalaje y retire la cinta que protege la puerta y el dispositivo. Las manchas adhesivas restantes se pueden eliminar con un detergente suave.
- No tire los elementos de poliestireno del envase. Si es necesario transportar el frigorífico-congelador, empaquélo en los elementos de poliestireno y lámina y protéjalo con cinta adhesiva
- Limpie la superficie interior del frigorífico-congelador y los elementos del aparato con un detergente disuelto en agua tibia y séquelo.
- Coloque la nevera-congelador sobre una superficie plana, nivelada y estable, en una habitación seca, ventilada y sombreada, lejos de fuentes de calor como: horno, vitrocerámica, radiadores de calefacción central, tuberías de calefacción central, instalación de agua caliente, etc.
- Puede haber una película protectora en el exterior del producto, estas películas deben eliminarse.
- Asegúrese de que el dispositivo esté colocado en posición horizontal atornillando las 2 patas delanteras ajustables (Fig. 3)
- Para garantizar que la puerta se abra libremente, la distancia entre el lado de la unidad (en el lado de las bisagras de la puerta) y la pared se muestra en la Figura 5.*
- Asegurar una ventilación adecuada de la habitación y la libre circulación de aire desde todos los lados de la unidad (Fig. 6).*

Distancias mínimas a las fuentes de calor

- del gas eléctrico y otros hornos - 30 mm,
- de hornos de petróleo o carbón - 300 mm,
- N° de hornos empotrados - 50 mm

Si no es posible garantizar las distancias anteriores, proporcione una placa de aislamiento adecuada.

Advertencia:

- La pared posterior del refrigerador, especialmente el condensador y otros elementos del sistema de enfriamiento, no debe entrar en contacto con otros elementos que puedan dañarlo (por ejemplo, tuberías de calefacción central y tuberías de suministro de agua).
- Está prohibido reajustar o modificar cualquier parte del dispositivo. Es crucial que el tubo capilar visible en el pozo del compresor no se dañe. La manguera no debe doblarse, enderezarse ni enrollarse.
- Si el tubo capilar es dañado por el usuario, la garantía será nula (Fig. 8).
- En algunos modelos, el mango se inserta en el dispositivo, debe atornillarlo con su propio destornillador,

Conexión a la red eléctrica

- Antes de conectarlo, se recomienda ajustar el controlador de temperatura a "OFF" u otra posición que desconecte el dispositivo de la fuente de alimentación (consulte la página que describe el controlador).
- Este aparato debe enchufarse a una toma de CA de 220-240 V y 50 Hz. El enchufe debe montarse correctamente y suministrarse con un tubo protector y un fusible de 10A.

- Es un requisito legal que el dispositivo esté correctamente conectado a tierra. El fabricante no será responsable de ningún daño o lesión que pueda resultar del incumplimiento de este requisito.
- No utilice adaptadores, regletas ni cables de extensión de dos hilos. Si se debe utilizar el cable de extensión, debe estar equipado con un anillo protector y un solo enchufe y tener un certificado de seguridad VDE / GS.
- Si se utiliza un cable de extensión (con un anillo protector y un certificado de seguridad), su salida debe estar a una distancia segura de los fregaderos y no debe estar en un lugar donde pueda inundarse con agua o aguas residuales.
- Para obtener especificaciones detalladas, consulte la placa de tipo en la parte inferior de la pared interior del dispositivo **.

Desconexión de la red eléctrica

Asegúrese de que el aparato se puede desconectar fácilmente de la red eléctrica, ya sea desenchufándolo de la toma de corriente o apagando el interruptor de dos polos (Fig. 9).

Zona climática

La información sobre el rango climático del dispositivo se puede encontrar en la placa tipográfica. Indica a qué temperatura ambiente (es decir, temperatura ambiente a la que funciona el dispositivo) el funcionamiento del dispositivo es óptimo (correcto).

Clase climática		Temperatura ambiente admisible
SN	Templado avanzado	Esta unidad de refrigeración está diseñada para su uso a una temperatura ambiente entre 10 °C y 32 °C
N	Templado	Esta unidad de refrigeración está diseñada para su uso a una temperatura ambiente entre 16 °C y 32 °C
C	Subtropical	Esta unidad de refrigeración está diseñada para su uso a una temperatura ambiente entre 16 °C y 38 °C
T	Tropical	Esta unidad de refrigeración está diseñada para su uso a una temperatura ambiente entre 16 °C y 43 °C

* Solo dispositivos independientes

** Dependiendo del modelo

DESENVOLVER



Durante el transporte, se utilizó un embalaje protector para proteger el dispositivo de daños. Después de desembalar, deseché todos los elementos de embalaje de tal manera que no dañen el medio ambiente.

Todos los materiales utilizados para el embalaje del dispositivo son respetuosos con el medio ambiente. Son 100% reciclables y están marcados con el símbolo apropiado.

¡Importante! Los materiales de embalaje (bolsas, polietileno, poliestireno, etc.) deben mantenerse alejados de los niños al desempacar.

ELIMINACIÓN DE EQUIPOS VIEJOS



De acuerdo con la Directiva Europea 2012/19/UE y la legislación local sobre residuos de aparatos eléctricos y electrónicos, estos equipos están marcados con el símbolo del contenedor de residuos tachado. Esta marca indica que el aparato no debe desecharse junto con otros residuos domésticos después de su uso.

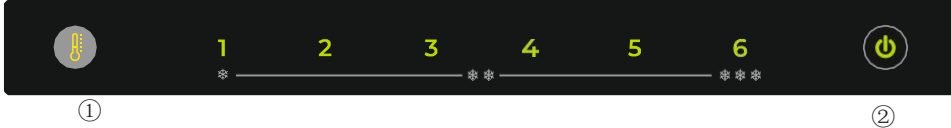
El usuario está obligado a entregarlos a un punto de recogida de residuos que recoge los aparatos eléctricos y electrónicos usados. Los recolectores, incluidos los puntos de recolección locales, las tiendas y las autoridades locales, ofrecen sistemas de reciclaje.

El manejo adecuado de los equipos eléctricos y electrónicos usados ayuda a evitar los riesgos ambientales y de salud derivados de la presencia de componentes peligrosos y el almacenamiento y procesamiento inadecuados de dichos bienes.

CONTROL

Controles de dispositivo

El panel de control se muestra en la Figura 10. Como referencia, también se muestra a continuación:



Ajustar la temperatura dentro del dispositivo

1. Cuando el dispositivo está conectado a la fuente de alimentación, comienza en el nivel 4.
2. Cuando abre la puerta del refrigerador, la luz de fondo del panel de control se enciende y la iluminación en el compartimiento del refrigerador está encendida. El ventilador del refrigerador se apaga. Después de 1 minuto después de abrir la puerta, escuchará un pitido. Después de unos 7 minutos después de abrir la puerta, la iluminación se apagará. Toca el interruptor para volver a encender las luces. Cuando se abre la puerta del refrigerador, el panel de control se ilumina. Cuando cierra la puerta, la luz se apaga inmediatamente y la luz de fondo del panel de control se apaga después de 1 minuto.
3. Pulse (1) para ajustar la temperatura en la cámara. Seleccione el ajuste entre 1 y 6. 1 — la temperatura más alta; 6 — la temperatura más baja. Mantén pulsado (2) durante 3 segundos para apagar el dispositivo. El botón se enciende y se corta la alimentación. La iluminación de la cámara de refrigeración y el compresor se apagan. Mantenga presionado el botón durante 3 segundos para abrir el Reutilice el dispositivo. El indicador se ilumina cuando se enciende el dispositivo. Los modelos inoxidable tienen la función de descongelación forzada. Para realizar trabajos de limpieza o mantenimiento, retire la escarcha del evaporador del congelador. Mantenga presionados los botones (1) y (2) simultáneamente durante 3 segundos para activar la descongelación forzada. El botón (1) parpadea. La función se desactiva cuando la temperatura alcanza los 10–12 °C. Mantén pulsados los botones (1) y (2) al mismo tiempo durante 3 segundos. Puede desactivar la función de descongelación forzada en cualquier momento. El botón deja de parpadear.
4. Este dispositivo puede mostrar errores y activar una alarma. En caso de error, se muestra un código de error en la pantalla de temperatura y el dispositivo continúa funcionando.

Información adicional sobre la temperatura

- La temperatura dentro del dispositivo se ve afectada por muchos factores. La forma de configurar el controlador de temperatura depende de la temperatura ambiente, la cantidad de luz solar, la frecuencia de apertura de la puerta y la cantidad de alimentos almacenados. El ajuste central del dial es el más óptimo en la mayoría de los casos.
- No coloque los alimentos en el refrigerador del congelador antes de que alcancen su temperatura de funcionamiento, que tarda al menos 4 horas.
- No cambie la configuración de temperatura debido al cambio de estación. El sensor detecta el aumento de la temperatura ambiente y el compresor se enciende automáticamente durante un período prolongado de tiempo para mantener la temperatura establecida en las cámaras.
- Las ligeras fluctuaciones de temperatura son completamente normales y pueden ocurrir, por ejemplo, al almacenar grandes cantidades de productos frescos en el refrigerador o al abrir la puerta durante mucho tiempo. Esto no afecta la condición de los alimentos almacenados, y la temperatura vuelve rápidamente al valor establecido.

Ajuste la humedad en la caja VitControl

(Figura 17)

Varios productos, como frutas o verduras, necesitan una humedad adecuada para mantenerse frescos por más tiempo. La caja VitControl está equipada con un deslizador (Fig. 17) para que se pueda suministrar más aire a la caja, lo que cambia la humedad de la caja.

1. Cubierta de caja
2. Control deslizable para ajustar el suministro de aire
3. Caja de verduras en frente

Las frutas necesitan menos humedad, por lo que el suministro de aire debe abrirse con un control deslizable. Para las verduras, es al revés, para mantenerlas frescas por más tiempo, debe cerrar el flujo de aire con un control deslizable. La ubicación exacta del control deslizable depende de sus propias preferencias.

PD: La declaración anterior solo está disponible si el producto tiene un regulador de humedad.

FUNCIONAMIENTO Y FUNCIONES

Almacenamiento de alimentos en la nevera-congelador


- Los productos deben envasarse en platos, en recipientes o en papel de aluminio. Extiéndelos uniformemente en los estantes.
- Si el alimento entra en contacto con la pared posterior, puede producirse glaseado o humectación de los productos.
- No ponga platos con alimentos calientes en el refrigerador
- Los productos que absorben fácilmente los sabores, como la mantequilla, la leche, el queso blanco y los productos con un sabor intenso, como el pescado, las carnes ahumadas, los quesos duros, deben colocarse en estantes, envasarse en envases de alimentos o almacenarse en recipientes bien cerrados.
- El almacenamiento de verduras que contengan cantidades significativas de agua conducirá a la deposición de condensación en los recipientes de verduras y no interferirá con el buen funcionamiento del refrigerador.
- Antes de poner las verduras en el refrigerador, séquelas bien.
- La humedad excesiva acorta la vida útil de las verduras, especialmente las verduras de hoja verde.
- No lave las verduras antes de guardarlas en el refrigerador. El lavado elimina la protección natural, por lo que es mejor lavar las verduras justo antes de comerlas.
- Se recomienda colocar los productos en los cajones del congelador 1, 2, 3* hasta la capacidad de carga natural (Fig. 11a / 11b).**

1. Productos envasados
2. Estante
3. Resiliencia natural
4. ❌***

- Es aceptable apilar productos en los estantes del congelador.*
- Está permitido colocar productos de 20 a 30 mm fuera de la capacidad de carga natural.**
- Para aumentar la capacidad de carga de la cámara del congelador y permitir que los productos se apilan en los estantes de alambre del evaporador del congelador a la altura máxima, es posible retirar los cajones 1 y 2.*

Congelación de alimentos **


- Prácticamente todos los alimentos, con la excepción de las verduras que se comen crudas, como la lechuga, se pueden congelar.
- Solo se deben congelar los productos alimenticios de la más alta calidad, divididos en pequeñas porciones para un solo uso.
- Los productos deben envasarse en materiales inodoros, resistentes a la penetración del aire y la humedad, y no susceptibles a la grasa. Las bolsas de plástico, el polietileno y las láminas de aluminio son los mejores materiales de embalaje.
- El embalaje debe ser hermético y debe adherirse a los productos congelados. No utilice recipientes de vidrio.
- Mantenga los alimentos frescos y calientes a temperatura ambiente, lejos de los productos que ya están congelados.
- Le recomendamos que no ponga más alimentos frescos en el congelador por día (consulte la tabla de especificaciones técnicas).
- Para obtener una calidad óptima de alimentos congelados, organice los alimentos que están en el centro del congelador para que no toquen los productos que aún no se han congelado.
- Se recomienda empujar los productos ya congelados hacia un lado, y colocar los productos frescos que se planea congelar en el lado opuesto, lo más cerca posible de las paredes posteriores y laterales.

- Para congelar productos, utilice la habitación marcada .
- Tenga en cuenta que la temperatura en el congelador se ve afectada por varios factores, incluida la temperatura ambiente y la cantidad de alimentos en la cámara, la frecuencia de apertura de la puerta, la cantidad de escarcha en el congelador y el ajuste del termostato.
- Si no puede abrir la puerta del congelador inmediatamente después del cierre, espere 1-2 minutos para que la presión negativa se iguale e intente abrir la puerta nuevamente.

El tiempo de almacenamiento de los productos congelados depende de su calidad antes de congelarlos en estado fresco y de la temperatura de almacenamiento. Se recomiendan los siguientes períodos de almacenamiento si la temperatura se mantiene a -18 °C o menos:

Productos	Meses
Vaca	6-8
Tenera	3-6
Asadura	1-2
Cerdo	3-6
Ave de corral	6-8
Huevos	3-6
Pescado	3-6
Verdura	10-12
Fruta	10-12

No guarde alimentos congelados en una cámara de enfriamiento rápido. Los cubitos de hielo se pueden preparar y almacenar en esta cámara.

Nota: Si el aparato no tiene un compartimento congelador () , no es adecuado para congelar alimentos.

* Aplicable para aparatos con un compartimento congelador en la parte inferior del aparato.

** Aplicable para aparatos con congelador .

No se aplica a los aparatos con un compartimento congelador marcado .

USAR EL REFRIGERADOR DE MANERA EFICIENTE

Consejos prácticos para la vida cotidiana

- No coloque refrigeradores o congeladores cerca de radiadores, calentadores, hornos o luz solar directa.
- Asegúrese de que las rejillas de ventilación no estén cubiertas y retire el polvo una o dos veces al año.
- Elija la temperatura adecuada: 6 a 8 ° C en la nevera y -18 ° C en el congelador son suficientes.
- Si está de vacaciones, aumente la temperatura en su refrigerador.
- No abra su refrigerador o congelador a menos que sea necesario. Ayuda si sabe qué alimentos contiene cada uno y dónde se encuentra. Vuelva a poner los alimentos en la nevera o el congelador tan pronto como sea posible después de su uso para que no se caliente demasiado.
- Limpie el interior de su refrigerador regularmente con un paño empapado en un detergente suave. Los electrodomésticos que no son autodescongelantes deben descongelarse regularmente. No permita que aparezcan capas de escarcha con un grosor de más de 10 mm.
- Mantenga limpia la junta alrededor de la puerta, de lo contrario no se cerrará correctamente. Siempre reemplace las juntas defectuosas.

Entendiendo las estrellas



La temperatura es de al menos -6 ° C; suficiente para almacenar alimentos congelados durante aproximadamente una semana. Los cajones o compartimentos marcados con un asterisco solían ser una característica de los refrigeradores (en su mayoría) más baratos.



Los alimentos se pueden almacenar a -12 ° C o menos durante 1-2 semanas sin perder su sabor. No apto para congelar alimentos.



Esta clasificación se utiliza principalmente para almacenar alimentos a -18 ° C o menos. También se puede utilizar para congelar hasta 1 kilogramo de alimentos frescos.



Este aparato es adecuado para almacenar alimentos a -18 ° C o menos y congelar grandes cantidades de alimentos frescos.

Consejos prácticos

Debido a la circulación natural de aire en el dispositivo, hay diferentes zonas de temperatura en el compartimiento del refrigerador.

- El área más fría está justo encima de los cajones de verduras. Use esta sección para todos los alimentos delicados y perecederos, tales como:
 - Pescado, carne, aves
 - Carnes curadas, platos preparados
 - Vajilla o productos de panadería que contengan huevos o nata
 - Masa fresca, mezclas para pasteles
 - Las verduras preenvasadas y otros alimentos frescos con una etiqueta deben almacenarse a una temperatura de aproximadamente 4 ° C.

La zona más cálida se encuentra en la zona superior de la puerta. Use esto para almacenar mantequilla y Queso.

Alimentos que no deben almacenarse en el refrigerador

- No todos los alimentos son adecuados para su almacenamiento en el refrigerador, especialmente:
 - Frutas y verduras sensibles al frío, como plátanos, aguacate, papa-ya, maracuyá, berenjenas, pimientos, tomates y pepinos.
 - Fruta, que aún no está madura
 - Papas

Advertencia:

Ejemplo de almacenamiento de alimentos - ver Figura 12.

Para lograr la conservación de alimentos más efectiva y evitar el desperdicio de alimentos, coloque los productos como se muestra en la Figura 12. Además, esta ilustración ilustra la disposición de cajones, cestas y estantes, lo que permite el uso más eficiente de la energía.

La temperatura óptima y las condiciones de almacenamiento prolongan la vida útil de los productos y optimizan el consumo de energía. El rango óptimo de temperatura de almacenamiento debe indicarse en el envase de los alimentos.

DESCONGELACIÓN, LAVADO Y CUIDADO

¡Nunca limpie la carcasa o las partes de plástico del producto con disolventes o agentes de limpieza fuertes y abrasivos (por ejemplo, detergentes en polvo o cremas)! Use solo detergentes líquidos suaves y paños suaves. No use esponjas.

Descongelar el refrigerador ***

- La escarcha se asienta en la pared posterior de la cámara de enfriamiento. Se eliminará automáticamente. Durante la descongelación, el condensado que contiene contaminación puede obstruir la abertura en el pasaje. Si este es el caso, limpie cuidadosamente la abertura con el tapón de limpieza (Fig. 13).
- El dispositivo funciona en ciclos: se enfría (luego la escarcha se asienta en la pared posterior) y se descongela (el agua fluye por la pared posterior)
- Antes de limpiarlo, desconecte el aparato de la red eléctrica desenchufándolo de la toma de corriente o apagando el fusible. Evite que el agua entre en el panel de control o en la lámpara.
- No utilice aerosoles descongelantes. Pueden causar una mezcla explosiva o contener disolventes que pueden dañar las partes plásticas del dispositivo e incluso ser perjudiciales para la salud.
- Asegúrese de que el agua utilizada para la limpieza no fluya a través de la abertura de salida hacia el tanque de evaporación.
- Todo el dispositivo, excepto el sello de la puerta, debe limpiarse con un detergente suave. El sello de la puerta debe limpiarse con agua y secarse.
- Lave todos los accesorios (recipientes de verduras, estantes de puertas, estantes de vidrio, etc.).

Descongele la cámara del congelador de la siguiente manera:**

- Encienda el dispositivo mediante el panel de control y retire el enchufe de la toma de corriente.
- Abra la puerta y retire la comida del congelador.
- Dependiendo del modelo, saque la manguera de drenaje, que se encuentra en la parte inferior del compartimiento del congelador, y coloque un recipiente adecuado debajo de ella.
- Deje la puerta abierta, esto acelerará el proceso de descongelación. Además, se puede colocar una olla de agua caliente (no hirviendo) en el congelador.
- Lave el interior del congelador y séquelo.
- Encienda el dispositivo de acuerdo con el elemento correspondiente en el manual de instrucciones.
-

Descongelación automática del refrigerador ****

La cámara de refrigeración ha sido equipada con una función de descongelación automática. Sin embargo, la escarcha puede asentarse en la pared posterior de la cámara frigorífica. Esto suele suceder cuando se almacenan grandes cantidades de alimentos frescos en el refrigerador.

Descongelación automática del congelador ****

La cámara de congelación está equipada con una función de descongelación automática (No-Frost). En el aire circulante enfriado, la comida se congela y la humedad se disipa de la cámara de congelación hacia el exterior. Como resultado, no hay hielo ni escarcha en el congelador, y los productos no se congelan entre sí.

Lavar el refrigerador y la cámara del congelador manualmente ****

Se recomienda lavar las cámaras de refrigeración y congelación al menos una vez al año. Esto evita la formación de bacterias y malos olores. Apague el aparato con el botón (1), retire los alimentos de las cámaras y lávelos con agua y un detergente suave. Luego seque las cámaras con un paño.

Sácalo y ponlo en los estantes *****

Deslice el estante hacia afuera y, a continuación, deslícelo lo más posible para que la abrazadera encaje en la ranura guía (Fig. 15).

Extracción e inserción del estante de la puerta *****

Levante el estante de la puerta, sáquelo y devuélvalo a la posición deseada desde arriba (Fig.16).

¡ADVERTENCIA! En ningún caso debe poner un calentador eléctrico, un calentador de ventilador o un secador de pelo en el congelador.

- ** Aplicable para aparatos con congelador
 No se aplica a dispositivos con un sistema libre de heladas.
- *** Aplicable para electrodomésticos con compartimento frigorífico
 No se aplica a dispositivos con un sistema libre de heladas.
- **** Aplicable para dispositivos con un sistema libre de heladas.
- ***** No se aplica a congeladores

SOLUCIÓN DE PROBLEMAS

Problemas	Posibles causas	Remedio
El dispositivo no funciona	El circuito está roto	<ul style="list-style-type: none"> - Compruebe que el enchufe está insertado correctamente en el enchufe - Compruebe que el cable de alimentación del dispositivo no esté dañado - Compruebe si hay voltaje en la toma conectando otro dispositivo, como una lámpara de noche - Compruebe que el aparato está encendido ajustando el termostato a una posición superior a 0.
La iluminación en la cámara no funciona	La bombilla está suelta o fusionada (solo dispositivos con iluminación de bombilla)	- Inserte la bombilla correctamente o reemplácela (consulte la sección anterior "Sustitución de la bombilla de iluminación interior")
El dispositivo funciona continuamente	Ajuste incorrecto de la perilla de ajuste	- Restablecer la perilla a una posición más baja
	Ver. "La temperatura dentro del dispositivo no es lo suficientemente baja como para describir otras posibles causas.	Ver. "La temperatura dentro del dispositivo no es lo suficientemente baja como para describir otros posibles remedios.
El agua se acumula en la parte inferior del dispositivo	El orificio de salida de agua está obstruido (dependiendo del modelo)	- Limpie la abertura del pico (consulte las instrucciones de funcionamiento – capítulo "Descongelación del refrigerador")
	Circulación de aire interna obstruida	- Colocar los alimentos y recipientes de manera que no toquen la pared posterior del refrigerador
El dispositivo produce ruidos inusuales	Nivelación incorrecta del dispositivo	- Nivelar el dispositivo correctamente
	El aparato toca muebles y/u otros objetos	- Coloque el aparato en un lugar donde se garantice una distancia suficiente

Problemas	Posibles causas	Remedio
La temperatura dentro del dispositivo no es lo suficientemente baja o demasiado alta	Configuración incorrecta de la perilla de ajuste	- Restablecer la perilla a una posición más alta
	La temperatura ambiente es más alta o más baja que el rango de clima de la Tabla de especificaciones técnicas	- El dispositivo está adaptado para operar en el rango climático de la tabla con especificaciones técnicas.
	El dispositivo está ubicado en un lugar iluminado por el sol o cerca de fuentes de calor	- Mueva el dispositivo a otra ubicación. Observe las pautas contenidas en el manual de instrucciones
	Demasiada comida caliente cargada a la vez	- Espere 72 horas para que la comida se enfríe (congele) y alcance la temperatura deseada en la cámara
	Circulación de aire interna obstruida	- Colocar los alimentos y recipientes de manera que no toquen la pared posterior del refrigerador
	La circulación de aire en la parte posterior del dispositivo está obstruida	- Coloque el dispositivo al menos a 30 mm de la pared
	La puerta de la nevera / congelador se abre con demasiada frecuencia y / o se deja abierta durante demasiado tiempo	- Reducir la frecuencia de apertura de la puerta y/o acortar el tiempo que la puerta permanece abierta
	La puerta no se cierra completamente	- Colocar los alimentos y recipientes de manera que no interfieran con la puerta cerrada
El compresor se enciende muy raramente	- Comprobar que la temperatura ambiente no es inferior a la clase climática	
Junta de la puerta insertada	- Presione en la junta	

Durante el uso normal del refrigerador, se escuchan ciertos ruidos que no interfieren con su correcto funcionamiento.

Ruidos fáciles de prevenir:

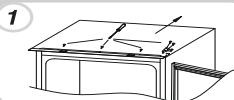
- Ruido causado por el dispositivo que no está nivelado: ajuste la posición con los pies de dirección ajustables. Alternativamente, puede colocar almohadillas hechas de material blando debajo de los rodillos traseros, especialmente si el dispositivo se coloca en baldosas.
- Toque el mueble adyacente - guarde el refrigerador.
- Crujir los cajones o estantes - Retire el cajón o estante y vuelva a colocarlo.
- Sonidos de botellas tintineando - Separe las botellas.

El ruido que se escucha durante el uso normal se debe principalmente al funcionamiento del termostato, el compresor (encendido) y el sistema de refrigeración (expansión térmica y contracción del radiador debido al flujo del refrigerante).

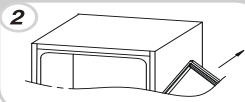
INSTALACIÓN

MARCHA ATRÁS DE LA APERTURA DE LAS PUERTAS

Retire la placa superior y la bisagra con un destornillador.



Retire la puerta superior.



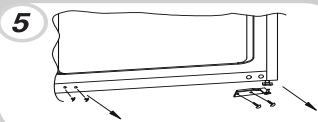
Retire la bisagra central y el pasador de conexión debajo.



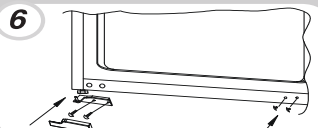
Retire la puerta inferior.



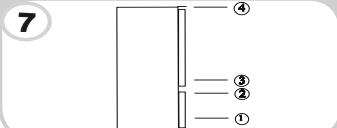
Retire la bisagra inferior derecha y los tapones de plástico izquierdos y vuelva a colocarlos en el lado opuesto.



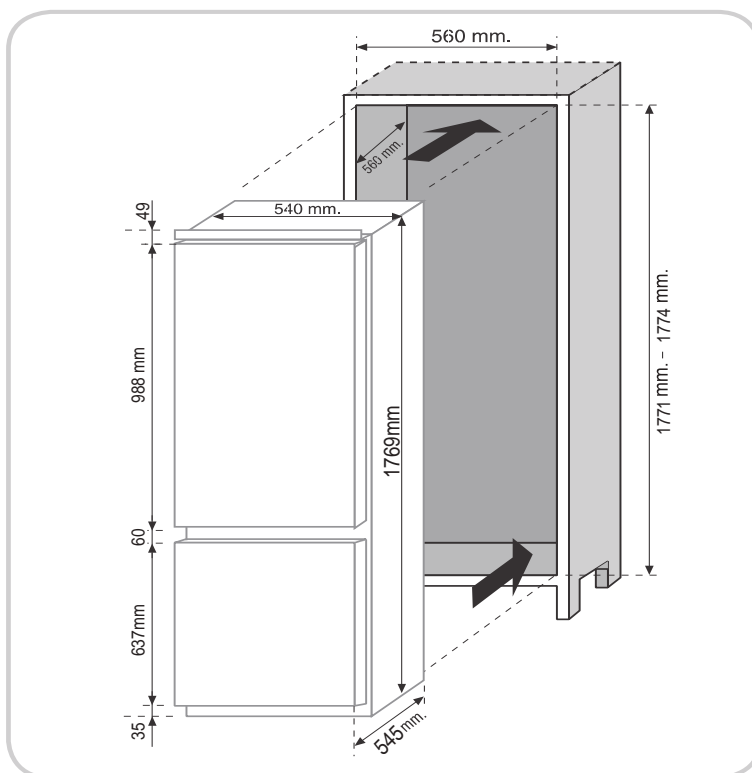
Use la bisagra y la cubierta opuestas y colóquela en la parte inferior izquierda.



Instale las puertas y bisagras de abajo hacia arriba, de 1 a 4.

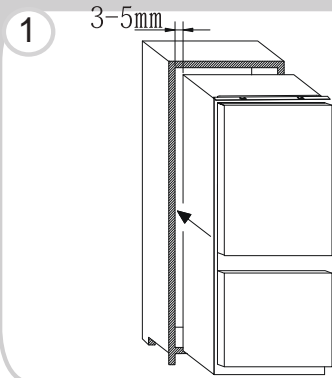


DIMENSIONES DEL PRODUCTO Y COMPARTIMENTO INCORPORADO

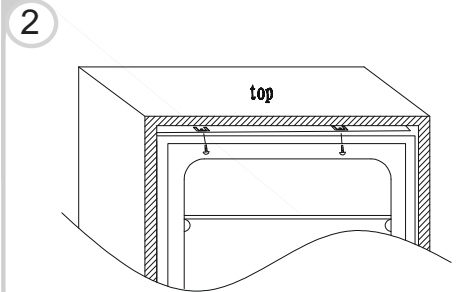


INSTALACIÓN DEL DISPOSITIVO EN LA COLUMNA

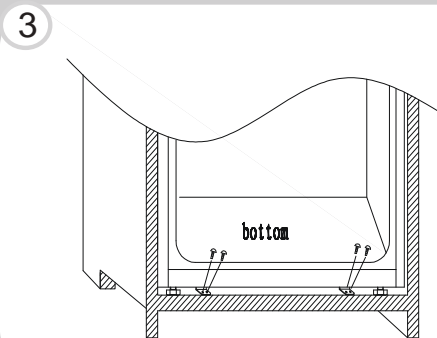
Inserte el dispositivo en la columna, colóquelo en el lado opuesto de las bisagras, manteniendo una distancia de 3-5 mm.



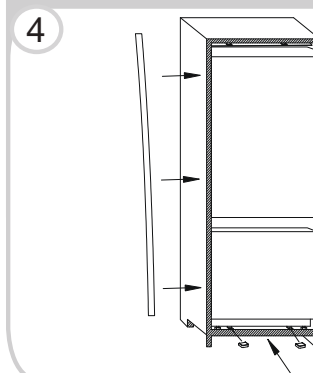
Después de asegurar la correspondencia entre la puerta del aparato y la puerta del pilar, atornille la parte superior del aparato al armario.



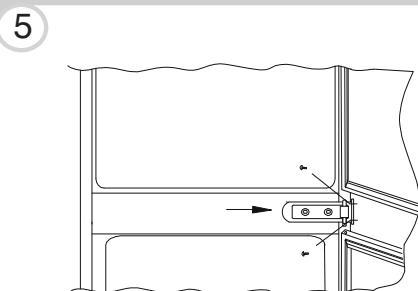
Atornille firmemente la parte inferior del aparato.



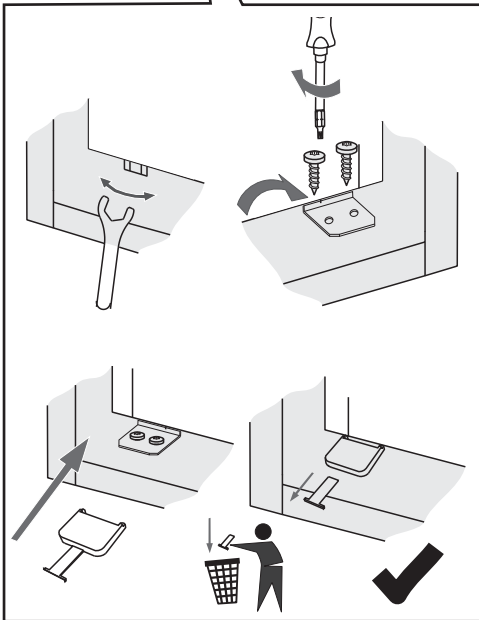
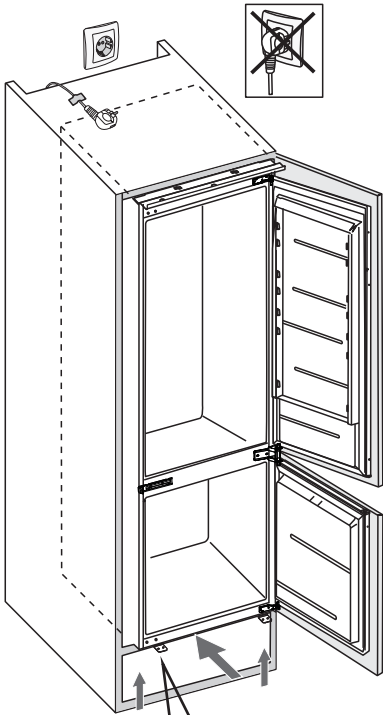
Conecte la junta al dispositivo, si es necesario, corte la parte sobrante. Ensamble las partes inferiores con cubiertas de plástico.



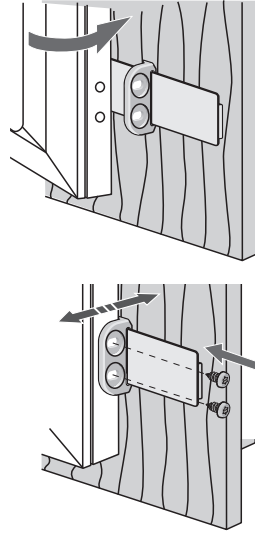
Use un destornillador Phillips para aflojar el pasador de conexión debajo de la bisagra central derecha y ajústelo para atornillar a la pared derecha del gabinete.



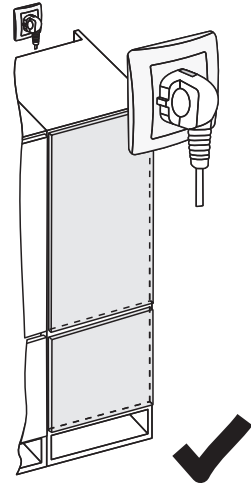
6



7



8



DIRETRIZES DE SEGURANÇA DE USO.....	44
CONDIÇÕES DE INSTALAÇÃO E FUNCIONAMENTO DO DISPOSITIVO.....	48
DESEMBRULHAR.....	50
DESCARTE DE EQUIPAMENTOS ANTIGOS.....	50
CONTROLE.....	51
OPERAÇÃO E FUNÇÕES.....	52
USANDO A GELADEIRA DE FORMA EFICIENTE.....	55
DESCONGELAMENTO, LAVAGEM E CUIDADOS.....	57
SOLUCIONANDO PROBLEMAS.....	59
INSTALAÇÃO.....	61

DIRETRIZES DE SEGURANÇA DE USO

- O aparelho destina-se apenas a uso doméstico.
- O fabricante reserva-se o direito de fazer alterações que não afetem o funcionamento do dispositivo.
- Algumas disposições deste manual de instruções são uniformes para o arrefecimento de produtos de vários tipos (para frigoríficos, frigoríficos, congeladores ou congeladores)
- O fabricante não é responsável por quaisquer danos causados pelo não cumprimento das instruções neste manual.
- Guarde este manual para referência futura, ou entregue-o ao próximo usuário.
- Este aparelho não se destina a ser utilizado por pessoas (incluindo crianças) com capacidades físicas ou mentais reduzidas e pessoas sem experiência ou familiaridade com o aparelho.
- Não permita que as crianças utilizem o aparelho. Não os deixe brincar com o dispositivo. Você não tem permissão para subir nas gavetas e balançar nas portas.
- O dispositivo funciona perfeitamente à temperatura ambiente (consulte o arquivo do produto). Não usá-lo no porão, casa de verão sem aquecimento no outono e inverno.
- Ao configurar, mover e levantar o aparelho, não segure as maçanetas, não puxe o condensador na parte de trás da geladeira e não toque na unidade compressora.
- Não incline o congelador mais de 40° da posição vertical ao transportar, mover ou posicionar. Caso tal situação ocorra, o dispositivo deve ser ligado na posição correta após pelo menos 2 horas da troca (fig. 2).
- Remova o plugue da tomada antes de qualquer manutenção. Não puxe o cabo, mas segure o corpo do conector.
- Remova o plugue da tomada antes de qualquer manutenção. Não puxe o cabo, mas segure o corpo do conector.
- Por razões de segurança, não repare o dispositivo sozinho.

Reparos realizados por pessoas que não possuem as qualificações necessárias podem levar a um sério perigo para o usuário do dispositivo.

- Ventilar a sala onde o aparelho será colocado durante alguns minutos (o tamanho da sala para um produto que contenha isobutano/R600a deve ser de, pelo menos, 4 m³) para evitar danos no sistema de arrefecimento.
- Não recongele produtos parcialmente descongelados.
- Não guarde bebidas engarrafadas e enlatadas, especialmente bebidas carbonatadas, na câmara do congelador. As latas e garrafas podem explodir.
- Não coloque produtos congelados retirados diretamente do congelador (pirulitos, cubos de gelo, etc.) na boca, pois sua baixa temperatura pode causar congelamento severo.
- Certifique-se de não danificar o sistema de resfriamento perfurando as linhas de refrigerante no evaporador ou quebrando os tubos. O refrigerante é inflamável. Se o refrigerante entrar em contato com os olhos, lave-os com água limpa e chame um médico imediatamente.
- Se o cabo de alimentação estiver quebrado, ele deve ser substituído por um novo em uma oficina especializada.
- Este aparelho destina-se ao armazenamento de alimentos, não o utilize para outros fins.
- Para atividades como limpeza, manutenção ou movimentação, o aparelho deve ser completamente desligado da fonte de alimentação (desconectando-o da tomada)
- Este aparelho pode ser utilizado por crianças com idade igual ou superior a 8 anos ou por pessoas com deficiências físicas, mentais ou sensoriais ou por pessoas inexperientes ou desconhecidas do aparelho, desde que sejam supervisionadas ou tenham sido instruídas sobre a utilização segura do aparelho e estejam familiarizadas com os riscos associados à utilização do aparelho. Certifique-se de que as crianças não brincam com o dispositivo. A limpeza e a manutenção do aparelho não devem ser realizadas por crianças, a menos que tenham 8 anos de idade ou mais e sejam supervisionadas por uma pessoa competente.

Para conseguir mais espaço no congelador, você pode retirar as gavetas e colocar os alimentos diretamente nas prateleiras. Isso não afeta as propriedades mecânicas e a capacidade de resfriamento do produto. A capacidade de congelamento declarada foi calculada com as gavetas removidas.






AVISO: Risco de incêndio / materiais inflamáveis

- Crianças entre 3 e 8 anos podem carregar e descarregar geladeiras.

Para evitar a contaminação dos alimentos, observe as seguintes instruções:

- A abertura prolongada da porta pode levar a um aumento significativo da temperatura nos compartimentos do dispositivo.
- Limpe regularmente superfícies que possam entrar em contato com alimentos e sistemas de drenagem acessíveis.
- Guarde carne e peixe crus em recipientes adequados na geladeira para que eles não entrem em contato ou gotejem em outros alimentos.
- Os compartimentos de congelamento de duas estrelas são adequados para armazenar alimentos congelados, armazenar ou fazer sorvete e fazer cubos de gelo.
- Compartimentos de uma, duas e três estrelas não são adequados para congelar alimentos frescos

	Compartimentos ART	Temperatura de armazenamento alvo [OC]	Alimentação adequada
1	Geladeira	+2≤+8	Ovos, alimentos cozidos, alimentos embalados, frutas e vegetais, laticínios, bolos, bebidas e outros alimentos não são adequados para congelamento.
2	Freezer 	≤-18	Frutos do mar (peixes, camarões, mariscos), produtos aquáticos de água doce e produtos cárneos (recomendados por 3 meses, quanto maior o tempo de armazenamento, pior o sabor e o valor nutricional), próprios para alimentos frescos congelados.
3	Freezer 	≤-18	Frutos do mar (peixes, camarões, mariscos), produtos aquáticos de água doce e produtos cárneos (recomendados por 3 meses, quanto maior o período de armazenamento, pior o sabor e o valor nutricional) não são adequados para alimentos frescos congelados.
4	Freezer 	≤-12	Frutos do mar (peixes, camarões, mariscos), produtos aquáticos de água doce e produtos cárneos (recomendados por 2 meses, quanto maior o período de armazenamento, pior o sabor e o valor nutricional) não são adequados para alimentos frescos congelados

5	Freezer	≤ -6	Frutos do mar (peixes, camarões, mariscos), produtos aquáticos de água doce e produtos cárneos (recomendados por 1 mês, quanto maior o tempo de armazenamento, pior o sabor e o valor nutricional) não são adequados para alimentos frescos congelados.
6	Compartimento 0 estrelas	$-6 \leq 0$	Carne de porco fresca, carne bovina, peixe, frango, alguns alimentos processados embalados, etc. (Recomenda-se comer no mesmo dia, de preferência não mais do que 3 dias). Alimentos processados parcialmente encapsulados (alimentos não congeláveis)
7	Resfriar	$2 \leq +3$	Carne de porco, bovina, frango, produtos aquáticos de água doce, etc. frescos/congelados (7 dias abaixo de 0OC e acima de 0OC são recomendados para consumo dentro deste dia, de preferência não mais de 2 dias). Frutos do mar (menos de 0 por 15 dias, não é recomendado armazená-lo acima de 0OC)
8	Alimentos frescos	$0 \leq +4$	Carne de porco fresca, carne bovina, peixe, frango, alimentos cozidos, etc. (Recomenda-se comer no mesmo dia, de preferência não mais do que 3 dias)
9	Vinho	$+5 \leq +20$	Vinho tinto, vinho branco, espumante, etc.

- Nota: Por favor, armazene alimentos diferentes dependendo da composição ou temperatura de armazenamento de destino de seus produtos comprados.
- Se a geladeira estiver vazia por muito tempo, desligue-a, descongele-a, limpe-a, seque-a e deixe a porta aberta para evitar o crescimento de mofo na unidade.
- Limpeza de bebedouros (especialmente para produtos dispensadores de água): caixas d'água limpas se não tiverem sido utilizadas por 48 horas; Limpe o sistema de água conectado a uma conexão de água se nenhuma água tiver sido tomada por 5 dias.
- De acordo com o Regulamento (UE) 2019/2019 da Comissão, o período mínimo de disponibilidade de peças sobressalentes necessárias para a reparação do equipamento é de 7 ou 10 anos, dependendo do tipo e da utilização prevista da peça sobressalente.
- A lista de peças sobressalentes e o procedimento de encomenda podem ser encontrados nos sites do fabricante, importador ou representante autorizado.
- Para mais informações sobre o produto, consultar a base de dados de produtos EPREL da UE, consultar <https://eprel.ec.eu-ropa.eu>. Para mais informações, digitalize o código QR na etiqueta energética com o seu dispositivo móvel ou introduza o modelo do produto indicado na etiqueta energética no motor de busca EPREL <https://eprel.ec.europa.eu/>

CONDIÇÕES DE INSTALAÇÃO E FUNCIONAMENTO DO DISPOSITIVO

Esta unidade de arrefecimento destina-se a ser utilizada como um aparelho incorporado.

Instalação antes da primeira inicialização do dispositivo

- Retire o produto da embalagem e retire a fita que protege a porta e o dispositivo. As manchas adesivas remanescentes podem ser removidas com detergente neutro.
- Não deite fora os elementos de poliestireno da embalagem. Se for necessário transportar o frigorífico-congelador, embale-o nos elementos de poliestireno e papel alumínio e proteja-o com fita adesiva
- Limpe a superfície interior do frigorífico-congelador e os elementos do aparelho com um detergente dissolvido em água morna e seque.
- Coloque o frigorífico-congelador numa superfície plana, plana e estável, numa sala seca, ventilada e sombreada, longe de fontes de calor como: forno, placa, radiadores de aquecimento central, tubos de aquecimento central, instalação de água quente, etc.
- Pode haver uma película protetora na parte externa do produto, essas películas devem ser removidas.
- Certifique-se de que o dispositivo é colocado numa posição horizontal parafusando as 2 pernas dianteiras ajustáveis (fig. 3)
- Para garantir que a porta se abra livremente, a distância entre o lado da unidade (no lado das dobradiças da porta) e a parede é mostrada na Figura 5.*
- Garantir a ventilação adequada da sala e a livre circulação de ar de todos os lados da unidade (fig. 6).*

Distâncias mínimas às fontes de calor

- dos fornos a gás eléctrico e outros - 30 mm,
- de fornos a óleo ou a carvão - 300 mm,
- de fornos embutidos - 50 mm

Se não for possível garantir as distâncias acima, forneça uma placa de isolamento adequada.

Aviso:

- A parede traseira do frigorífico, especialmente o condensador e outros elementos do sistema de arrefecimento, não deve entrar em contacto com outros elementos que possam danificá-lo (por exemplo, tubos de aquecimento central e tubos de abastecimento de água).
- É proibido reajustar ou modificar qualquer parte do dispositivo. É fundamental que o tubo capilar visível no poço do compressor não seja danificado. A mangueira não deve ser dobrada, alinhada ou enrolada.
- Se o tubo capilar for danificado pelo usuário, a garantia será anulada (fig. 8).
- Em alguns modelos, a alça é inserida no dispositivo, você deve parafusá-lo com sua própria chave de fenda,

Conexão de rede

- Antes de conectar, recomenda-se definir o controlador de temperatura como "OFF" ou outra posição que desconecte o dispositivo da fonte de alimentação (consulte a página que descreve o controlador).
- Este aparelho deve ser ligado a uma tomada CA de 220-240 V e 50 Hz. O soquete deve ser devidamente montado e fornecido com um tubo de proteção e um fusível de 10A.

- É uma exigência legal que o dispositivo esteja devidamente aterrado. O fabricante não é responsável por quaisquer danos ou prejuízos que possam resultar do incumprimento deste requisito.
- Não use adaptadores, barras de alimentação e cabos de extensão de dois fios. Se o cabo de extensão tiver de ser utilizado, deve estar equipado com um anel de protecção e uma tomada única e ter um certificado de segurança VDE/GS.
- Se for utilizado um cabo de extensão (com um anel de protecção e um certificado de segurança), a sua saída deve estar a uma distância segura dos lavatórios e não deve estar num local onde possa ser inundado por água ou esgoto.
- Para obter especificações detalhadas, consulte a placa tipo na parte inferior da parede interna do dispositivo **.

Desconexão da rede elétrica

Certifique-se de que o aparelho pode ser facilmente desligado da rede elétrica, desligando-o da tomada ou desligando o interruptor de dois polos (fig. 9).

Área climática

As informações sobre a faixa climática do dispositivo podem ser encontradas na placa tipo. Indica a temperatura ambiente (ou seja, a temperatura ambiente em que o dispositivo opera) o funcionamento do dispositivo é ideal (correto).

Classe climática		Temperatura ambiente admissível
SN	Temperado Avançado	Esta unidade de arrefecimento destina-se a ser utilizada a uma temperatura ambiente compreendida entre 10 °C e 32 °C
N	Temperado	Esta unidade de arrefecimento destina-se a ser utilizada a uma temperatura ambiente compreendida entre 16 °C e 32 °C
ST	Subtropical	Esta unidade de arrefecimento destina-se a ser utilizada a uma temperatura ambiente compreendida entre 16 °C e 38 °C
T	Tropical	Esta unidade de arrefecimento destina-se a ser utilizada a uma temperatura ambiente compreendida entre 16 °C e 43 °C

* Apenas dispositivos independentes

** Dependendo do modelo

DESEMBRULHAR



Durante o transporte, foram utilizadas embalagens protetoras para proteger o dispositivo de danos. Após a desembalagem, elimine todos os elementos da embalagem de forma a não agredir o ambiente.

Todos os materiais utilizados para a embalagem do dispositivo são ecologicamente corretos. São 100% recicláveis e marcados com o símbolo apropriado.

Importante! Os materiais de embalagem (sacos, polietileno, poliestireno, etc.) devem ser mantidos longe das crianças ao desembalar.

DESCARTE DE EQUIPAMENTOS ANTIGOS



De acordo com a Diretiva Europeia 2012/19/UE e a legislação local sobre resíduos de equipamentos elétricos e eletrônicos, este equipamento está marcado com o símbolo do contêiner de resíduos riscado. Esta marcação indica que o aparelho não deve ser eliminado juntamente com outros resíduos domésticos após a utilização.

O usuário é obrigado a entregá-los a um ponto de coleta de resíduos que coleta equipamentos eletroeletrônicos usados. Os coletores, incluindo pontos de coleta locais, lojas e autoridades locais, oferecem sistemas de reciclagem.

O manuseio adequado de equipamentos elétricos e eletrônicos usados ajuda a evitar riscos ambientais e à saúde decorrentes da presença de componentes perigosos e do armazenamento e processamento inadequados desses bens.

CONTROLE

Controles de dispositivo

O painel de controle é mostrado na Figura 10. Para referência, também é mostrado abaixo:



Ajuste a temperatura dentro do dispositivo

1. Quando o dispositivo está conectado à fonte de alimentação, ele começa no nível 4.
2. Quando você abre a porta da geladeira, a luz de fundo do painel de controle se acende e a iluminação no compartimento da geladeira está acesa. O ventilador da geladeira desliga. Depois de 1 minuto depois de abrir a porta, você ouvirá um sinal sonoro. Após cerca de 7 minutos após abrir a porta, a iluminação se apagará. Toque no interruptor para voltar a acender as luzes. Quando a porta do frigorífico é aberta, o painel de controle acende. Quando você fecha a porta, a luz é imediatamente apagada e a luz de fundo do painel de controle se apaga após 1 minuto.
3. Pressione (1) para ajustar a temperatura na câmara. Selecione a configuração entre 1 e 6. 1 — a temperatura mais alta; 6 — a temperatura mais baixa.
Pressione e segure (2) por 3 segundos para desligar o dispositivo. O botão acende e a energia é cortada. A iluminação na câmara de resfriamento e o compressor se desligam. Mantenha pressionado o botão por 3 segundos para abrir o botão
Reutilize o dispositivo. O indicador acende quando o dispositivo é ligado.
Os modelos inoxidáveis têm a função de degelo forçado. Para realizar trabalhos de limpeza ou manutenção, remova a geada do evaporador do congelador. Mantenha pressionados os botões (1) e (2) simultaneamente por 3 segundos para ativar o descongelamento forçado. O botão (1) pisca. A função é desativada quando a temperatura atinge 10-12 °C. Mantenha pressionados os botões (1) e (2) ao mesmo tempo por 3 segundos. Você pode desativar o recurso de descongelamento forçado a qualquer momento. O botão pára de piscar.
4. Este dispositivo pode exibir erros e disparar um alarme. Em caso de erro, um código de erro é exibido na exibição de temperatura e o dispositivo continua a ser executado.

Informações adicionais sobre temperatura

- A temperatura dentro do dispositivo é afetada por muitos fatores. A forma como você define o controlador de temperatura depende da temperatura ambiente, da quantidade de luz solar, da frequência de abertura da porta e da quantidade de alimentos armazenados. A configuração intermediária do mostrador é a mais ideal na maioria dos casos.
- Não coloque alimentos na geladeira do freezer antes que eles atinjam sua temperatura de operação, que leva pelo menos 4 horas.
- Não altere as configurações de temperatura devido à mudança de estação. O aumento da temperatura ambiente é detectado pelo sensor e o compressor é ligado automaticamente por um longo período de tempo para manter a temperatura definida nas câmaras.
- As pequenas flutuações de temperatura são completamente normais e podem ocorrer, por exemplo, ao armazenar grandes quantidades de produtos frescos na geladeira ou ao abrir a porta por um longo tempo. Isso não afeta a condição do alimento armazenado e a temperatura retorna rapidamente ao valor definido.

Ajuste a umidade na caixa VitControl

(Fig. 17)

Vários produtos, como frutas ou vegetais, precisam de umidade adequada para se manterem frescos por mais tempo. A caixa VitControl é equipada com um controle deslizante (fig. 17) para que mais ar possa ser fornecido à caixa, o que altera a umidade na caixa.

1. Tampa da caixa
2. Controle deslizante para ajustar a fonte de ar
3. Caixa de legumes na frente


As frutas precisam de menos umidade, por isso o suprimento de ar deve ser aberto com um controle deslizante. Para os vegetais, é o contrário, para mantê-los frescos por mais tempo, você deve fechar o fluxo de ar com um controle deslizante. A localização exata do controle deslizante depende de suas próprias preferências.

PS: A afirmação acima só está disponível se o produto tiver um regulador de umidade.

OPERAÇÃO E FUNÇÕES

Armazenamento de alimentos no frigorífico-congelador


- Os produtos devem ser embalados em pratos, em recipientes ou em papel alumínio. Espalhe-os uniformemente nas prateleiras.
- Se o alimento entrar em contato com a parede traseira, pode ocorrer congelamento ou umedecimento dos produtos.
- Não coloque pratos com alimentos quentes na geladeira
- Produtos que absorvem facilmente sabores, como manteiga, leite, queijo branco e produtos com sabor intenso, como peixes, carnes defumadas, queijos duros, devem ser colocados em prateleiras, embalados em embalagens de alimentos ou armazenados em recipientes bem fechados.
- O armazenamento de vegetais contendo quantidades significativas de água levará à deposição de condensação nos recipientes de vegetais e não interferirá no bom funcionamento da geladeira.
- Antes de colocar os legumes na geladeira, seque-os bem.
- A umidade excessiva encurta a vida útil dos vegetais, especialmente as folhas verdes.
- Não lave os legumes antes de guardá-los na geladeira. A lavagem remove a proteção natural, por isso é melhor lavar os vegetais antes de comer.
- Recomenda-se colocar os produtos nas gavetas do congelador 1, 2, 3* até a capacidade de carga natural (Fig. 11a / 11b).**

1. Produtos embalados
2. Prateleira
3. Resiliência natural
4. 

- O empilhamento de produtos nas prateleiras do congelador é aceitável.*
- É permitido colocar produtos 20-30 mm fora da capacidade de carga natural.**
- Para aumentar a capacidade de carga da câmara do congelador e permitir que os produtos sejam empilhados nas prateleiras de arame do evaporador do congelador até a altura máxima, é possível remover as gavetas 1 e 2.*

Congelamento de alimentos **


- Praticamente todos os alimentos, com exceção dos vegetais consumidos crus, como a alface, podem ser congelados.
- Apenas produtos alimentícios da mais alta qualidade, divididos em pequenas porções de uso único, devem ser congelados.
- Os produtos devem ser embalados em materiais inodoros, resistentes à penetração de ar e umidade e não suscetíveis à gordura. Sacos plásticos, folhas de polietileno e alumínio são os melhores materiais de embalagem.
- A embalagem deve ser apertada e deve grudar nos produtos congelados. Não utilize recipientes de vidro.
- Mantenha os alimentos frescos e quentes à temperatura ambiente, longe dos produtos que já estão congelados.
- Recomendamos que você não coloque mais alimentos frescos no freezer por dia (consulte a tabela de especificações técnicas).
- Para obter uma qualidade ideal de alimentos congelados, disponha o alimento que está no centro do freezer para que ele não toque nos produtos que ainda não foram congelados.
- Recomenda-se empurrar os produtos já congelados para o lado e colocar os produtos frescos que estão planejados para serem congelados no lado oposto, o mais próximo possível das paredes traseiras e laterais.

- Para congelar produtos, use a sala marcada .
- Tenha em mente que a temperatura no freezer é afetada por vários fatores, incluindo a temperatura ambiente e a quantidade de alimentos na câmara, a frequência de abertura da porta, a quantidade de gelo no freezer e a configuração do termostato.
- Se você não conseguir abrir a porta do freezer imediatamente após o fechamento, aguarde 1-2 minutos para que a pressão negativa equalize e tente abrir a porta novamente.

O tempo de armazenamento dos produtos congelados depende da sua qualidade antes do congelamento no estado fresco e da temperatura de armazenamento. Os seguintes períodos de armazenamento são recomendados se a temperatura for mantida em -18 °C ou inferior:

Produtos	Meses
Carne de vaca	6-8
Vitela	3-6
Miudezas	1-2
Carne de porco	3-6
Aves de capoeira	6-8
Ovo	3-6
Peixe	3-6
Legume	10-12
Fruta	10-12

Não guarde alimentos congelados em uma câmara de resfriamento por explosão. Cubos de gelo podem ser preparados e armazenados nesta câmara.

Nota: Se o aparelho não tiver um compartimento congelador () , não é adequado para congelar alimentos.

* Aplicável a aparelhos com um compartimento congelador na parte inferior do aparelho.

** Aplicável a aparelhos com compartimento congelador .

Não se aplica a aparelhos com um compartimento congelador marcado .

USANDO A GELADEIRA DE FORMA EFICIENTE

Dicas práticas para o dia a dia

- Não coloque geladeiras ou freezers perto de radiadores, aquecedores, fornos ou luz solar direta.
- Certifique-se de que as aberturas não estão cobertas e remova a poeira uma ou duas vezes por ano.
- Escolha a temperatura certa: 6 a 8 °C na geladeira e -18 °C no freezer são suficientes.
- Se você estiver de férias, aumente a temperatura em sua geladeira.
- Não abra o frigorífico ou congelador, a menos que seja necessário. Ajuda se você souber quais alimentos cada um contém e onde ele está localizado. Coloque os alimentos de volta na geladeira ou freezer o mais rápido possível após o uso para que não aqueça muito.
- Limpe o interior da geladeira regularmente com um pano embebido em detergente neutro. Os aparelhos que não são autodescongelantes devem ser descongelados regularmente. Não permita que apareçam camadas de gelo com espessura superior a 10 mm.
- Mantenha a junta ao redor da porta limpa, caso contrário, ela não fechará corretamente. Substitua sempre juntas defeituosas.

Entendendo as estrelas



A temperatura é de pelo menos -6°C, suficiente para armazenar alimentos congelados por cerca de uma semana. Gavetas ou compartimentos marcados com um asterisco costumavam ser uma característica de geladeiras (principalmente) mais baratas.



Os alimentos podem ser armazenados a -12°C ou abaixo por 1-2 semanas sem perder o sabor. Não é adequado para congelar alimentos.



Esta classificação é usada principalmente para armazenar alimentos a -18 °C ou menos. Também pode ser usado para congelar até 1 kg de alimentos frescos.



Este aparelho é adequado para armazenar alimentos a -18°C ou abaixo e congelar maiores quantidades de alimentos frescos.

Dicas práticas

Devido à circulação natural de ar no dispositivo, existem diferentes zonas de temperatura no compartimento do refrigerador.

- A área mais fria fica logo acima das gavetas de legumes. Use esta seção para todos os alimentos delicados e perecíveis, tais como:
 - Peixe, carne, aves de capoeira
 - Carnes curadas, refeições prontas
 - Artigos de mesa ou de padaria que contenham ovos ou natas
 - Massa fresca, misturas para bolo
 - Os vegetais pré-embalados e outros alimentos frescos com rótulo devem ser armazenados a uma temperatura de cerca de 4°C.

A área mais quente está localizada na área superior da porta. Use isso para armazenar manteiga e Queijo.

Alimentos que não devem ser armazenados na geladeira

- Nem todos os alimentos são adequados para armazenamento na geladeira, especialmente:
 - Frutas e hortaliças sensíveis ao frio, como banana, abacate, mamão, maracujá, berinjela, pimentão, tomate e pepino.
 - Fruto, que ainda não está maduro
 - Batata

Aviso:

Exemplo de armazenamento de alimentos - veja a Figura 12.

Para obter a conservação mais eficaz dos alimentos e evitar o desperdício de alimentos, posicione os produtos como mostra a Figura 12. Além disso, esta ilustração ilustra a disposição de gavetas, cestos e prateleiras, o que permite o uso mais eficiente de energia.

A temperatura ideal e as condições de armazenamento prolongam a vida útil dos produtos e otimizam o consumo de energia. A faixa de temperatura ideal de armazenamento deve ser indicada na embalagem do alimento.

DESCONGELAMENTO, LAVAGEM E CUIDADOS

Nunca limpe a carcaça ou as partes plásticas do produto com solventes ou agentes de limpeza abrasivos fortes (por exemplo, sabão em pó ou cremes)! Use apenas detergentes líquidos suaves e panos macios. Não use esponjas.

Descongele a geladeira ***

- A geada se instala na parede traseira da câmara de resfriamento. Ele será removido automaticamente. Durante o descongelamento, o condensado contendo contaminação pode obstruir a abertura na passagem. Se este for o caso, limpe cuidadosamente a abertura com o plugue de limpeza (fig. 13).
- O dispositivo funciona em ciclos: esfria (então a geada se instala na parede traseira) e descongela (a água flui pela parede dos fundos)
- Antes de limpar, desligue o aparelho da rede eléctrica desligando-o da tomada ou desligando o fusível. Evite que a água entre no painel de controle ou na luminária.
- Não utilize aerossóis de descongelamento. Eles podem causar uma mistura explosiva ou conter solventes que podem danificar as partes plásticas do dispositivo e até mesmo ser prejudiciais à saúde.
- Certifique-se de que a água utilizada para a limpeza não flui através da abertura de saída para o tanque de evaporação.
- Todo o dispositivo, com excepção do selo da porta, deve ser limpo com detergente neutro. A vedação da porta deve ser limpa com água e enxugada.
- Lave todos os acessórios (recipientes de vegetais, prateleiras de portas, prateleiras de vidro, etc.).

Descongele a câmara congeladora da seguinte forma:**

- Ligue o dispositivo usando o painel de controle e remova o plugue da tomada.
- Abra a porta e retire os alimentos do congelador.
- Dependendo do modelo, retire a mangueira de drenagem, que está localizada na parte inferior do compartimento do congelador, e coloque um recipiente adequado sob ela.
- Deixe a porta aberta, isso acelerará o processo de descongelamento. Além disso, uma panela de água quente (não fervendo) pode ser colocada no congelador.
- Lave o interior do congelador e seque.
- Ligue o dispositivo de acordo com o item correspondente no manual de instruções.

Descongelamento automático da geladeira****

A câmara de resfriamento foi equipada com uma função de degelo automático. No entanto, a geada pode se instalar na parede dos fundos da câmara fria. Isso geralmente acontece quando grandes quantidades de alimentos frescos são armazenadas na geladeira.

Descongelamento automático do congelador *****

A câmara de congelamento está equipada com uma função de degelo automático (No-Frost). No ar circulante resfriado, o alimento é congelado e a umidade é dissipada da câmara de congelamento para o exterior. Como resultado, não há gelo e geada no congelador, e os produtos não congelam uns contra os outros.

Lavar a geladeira e a câmara do freezer manualmente *****

Recomenda-se lavar as câmaras de refrigeração e congelamento pelo menos uma vez por ano. Isso evita a formação de bactérias e maus odores. Desligue o aparelho com o botão (1), retire os alimentos das câmaras e lave-os com água e detergente neutro. Em seguida, limpe as câmaras com um pano.

Tire e coloque nas prateleiras *****

Deslize a prateleira para fora e, em seguida, deslize-a o mais longe possível para que a braçadeira se encaixe no sulco da guia (fig. 15).

Remoção e inserção da prateleira da porta *****

Levante a prateleira da porta, retire-a e devolva-a à posição desejada de cima (fig. 16).

AVISO! Em nenhum caso você deve colocar um aquecedor elétrico, aquecedor com ventilador ou secador de cabelo no congelador.

** Aplicável a aparelhos com compartimento congelador

Não se aplica a dispositivos com sistema frost-free.

*** Aplicável a aparelhos com compartimento frigorífico

Não se aplica a dispositivos com sistema frost-free.

**** Aplicável para dispositivos com sistema frost-free.

***** Não se aplica a congeladores

SOLUCIONANDO PROBLEMAS

Problemas	Possíveis causas	Remédio
O dispositivo não funciona	O circuito está quebrado	<ul style="list-style-type: none"> - Verifique se o plugue está inserido corretamente na tomada - Verifique se o cabo de alimentação do dispositivo não está danificado - Verifique se há tensão na tomada conectando outro dispositivo, como uma lâmpada noturna - Verifique se o aparelho está ligado ajustando o termostato para uma posição superior a 0.
A iluminação na câmara não funciona	A lâmpada está solta ou fundida (apenas dispositivos com iluminação de lâmpada)	<ul style="list-style-type: none"> - Insira a lâmpada corretamente ou substitua-a (veja a seção acima "Substituindo a lâmpada de iluminação interna")
	Ajuste incorreto do botão de ajuste	<ul style="list-style-type: none"> - Redefinir o botão para uma posição mais baixa
O dispositivo funciona continuamente	Ver. "A temperatura dentro do aparelho não é baixa o suficiente para descrever outras possíveis causas"	Ver. "A temperatura dentro do dispositivo não é baixa o suficiente para descrever outros possíveis remédios"
A água é coletada na parte inferior do dispositivo	O orifício de saída de água está entupido (dependendo do modelo)	<ul style="list-style-type: none"> - Limpe a abertura da bica (veja instruções de operação – capítulo "Descongelando a geladeira")
	Circulação interna de ar obstruída	<ul style="list-style-type: none"> - Coloque os alimentos e recipientes para que não toquem na parede traseira da geladeira
O dispositivo produz ruídos incomuns	Nivelamento incorreto do dispositivo	<ul style="list-style-type: none"> - Nivele o dispositivo corretamente
	O aparelho toca móveis e/ou outros objetos	<ul style="list-style-type: none"> - Coloque o aparelho num local onde seja assegurada uma distância suficiente

Problemas	Possíveis causas	Remédio
	Ajuste incorreto do botão de ajuste	- Redefinir o botão para uma posição mais alta
	A temperatura ambiente é maior ou menor do que a faixa climática da Tabela de Especificações Técnicas	- O dispositivo é adaptado para operação na faixa climática a partir da tabela com especificações técnicas.
	O dispositivo está localizado em um lugar iluminado pelo sol ou perto de fontes de calor	- Mova o dispositivo para outro local. Observe as orientações contidas no manual de instruções
	Muita comida quente carregada de uma só vez	- Aguarde 72 horas para que o alimento esfrie (congele) e atinja a temperatura desejada na câmara
A temperatura dentro do dispositivo não é baixa o suficiente ou muito alta	Circulação interna de ar obstruída	- Coloque os alimentos e recipientes para que não toquem na parede traseira da geladeira
	A circulação de ar na parte traseira do dispositivo está obstruída	- Coloque o dispositivo a pelo menos 30 mm da parede
	A porta do frigorífico/congelador é aberta com demasiada frequência e/ou deixada aberta durante demasiado tempo	- Reduzir a frequência de abertura da porta e/ou diminuir o tempo que a porta permanece aberta
	A porta não fecha completamente	- Coloque os alimentos e recipientes para que não interfiram na porta fechada
	O compressor é ligado muito raramente	- Verifique se a temperatura ambiente não é inferior à classe climática
	Junta da porta inserida incorretamente	- Prensa na junta

Durante o uso normal da geladeira, são ouvidos certos ruídos que não interferem no seu bom funcionamento.

Ruídos fáceis de prevenir:

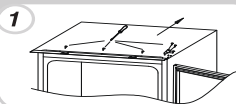
- Ruído causado pelo dispositivo que não está nivelado - ajuste a posição com os pés de direção ajustáveis. Alternativamente, você pode colocar almofadas feitas de material macio sob os rolos traseiros, especialmente se o dispositivo for colocado em telhas.
- Toque no móvel adjacente - guarde a geladeira.
- Ranger as gavetas ou prateleiras - Retire a gaveta ou prateleira e coloque-a novamente.
- Sons de garrafas piscando - Empurre garrafas separadas.

O ruído ouvido durante o uso normal é principalmente devido ao funcionamento do termostato, compressor (ligado) e sistema de resfriamento (expansão térmica e contração do radiador devido ao fluxo do líquido de arrefecimento).

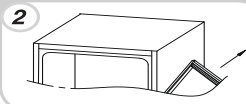
INSTALAÇÃO

INVERTENDO A ABERTURA DAS PORTAS

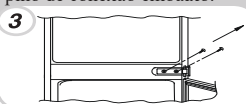
Remova a placa superior e a dobradiça com uma chave de fenda.



Remova a porta superior.



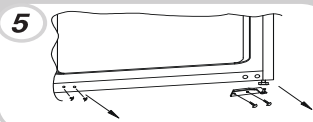
Remova a dobradiça central e o pino de conexão embaixo.



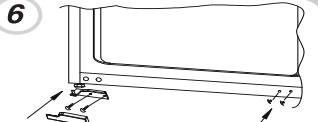
Remova a porta inferior.



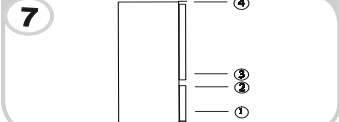
Remova a dobradiça inferior direita e os plugues de plástico esquerdos e coloque-os novamente no lado oposto.



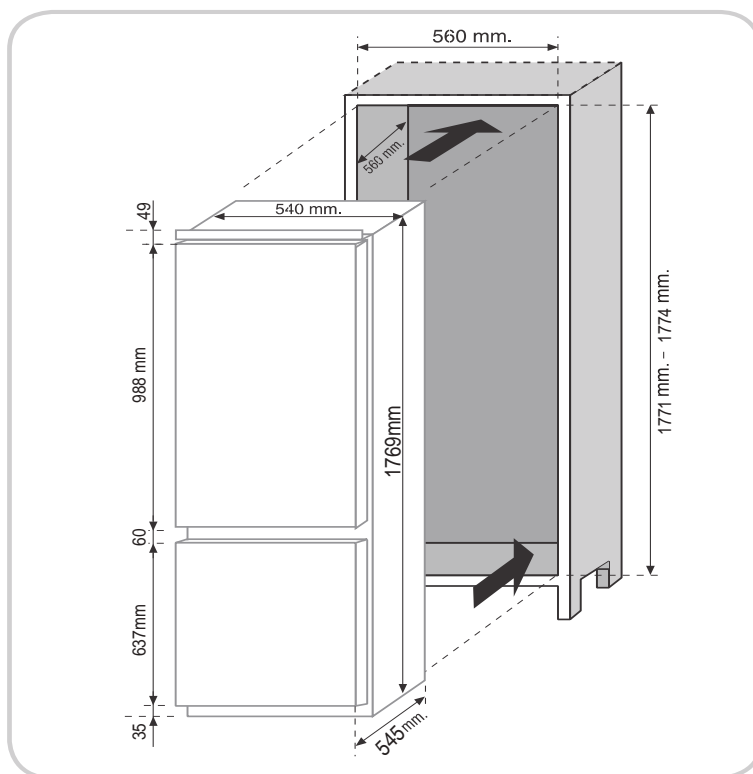
Use a dobradiça oposta e cubra e encaixe-a na parte inferior esquerda.



Instale as portas e dobradiças de baixo para cima, de 1 a 4.

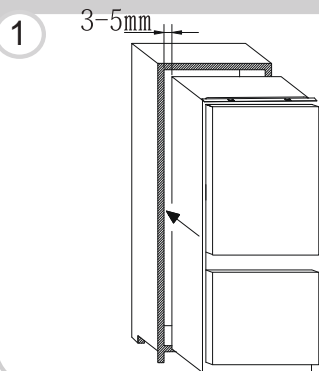


DIMENSÕES DO PRODUTO E COMPARTIMENTO EMBUTIDO

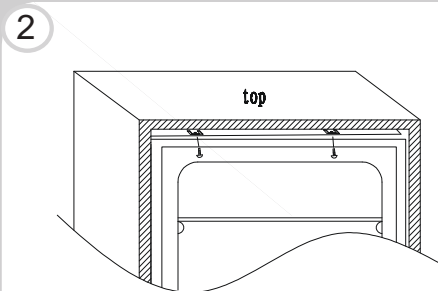


INSTALAÇÃO DO DISPOSITIVO NA COLUNA

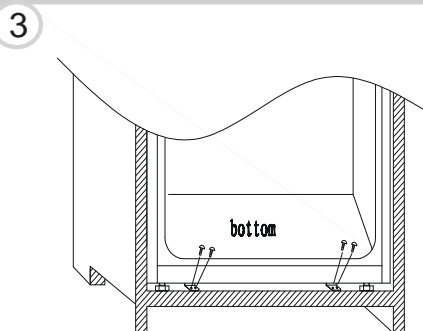
Insira o dispositivo na coluna, coloque-o no lado oposto das dobradiças, mantendo uma distância de 3-5 mm.



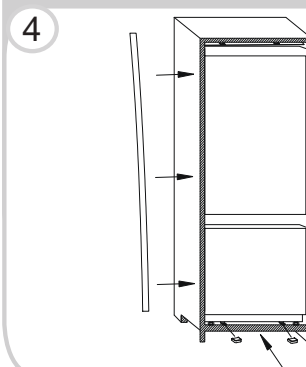
Depois de garantir a correspondência entre a porta do aparelho e a porta do pilar, rosqueie a parte superior do aparelho ao armário



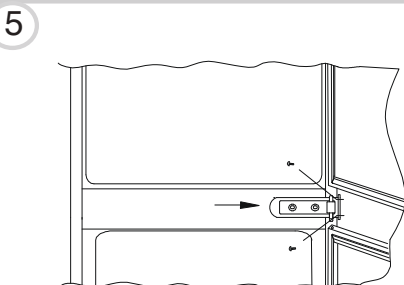
Rosqueie bem a parte inferior do aparelho.



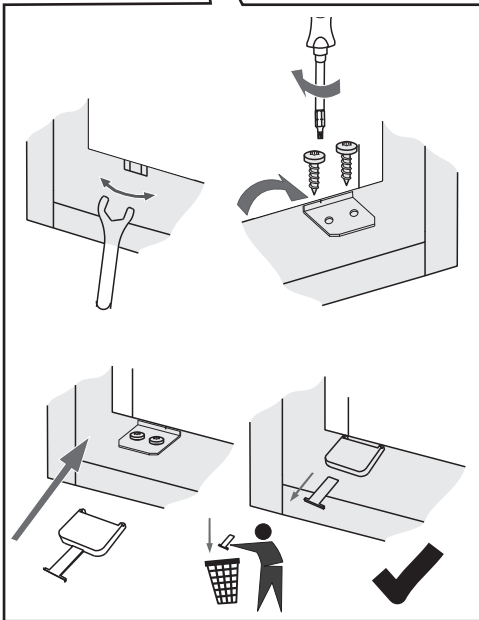
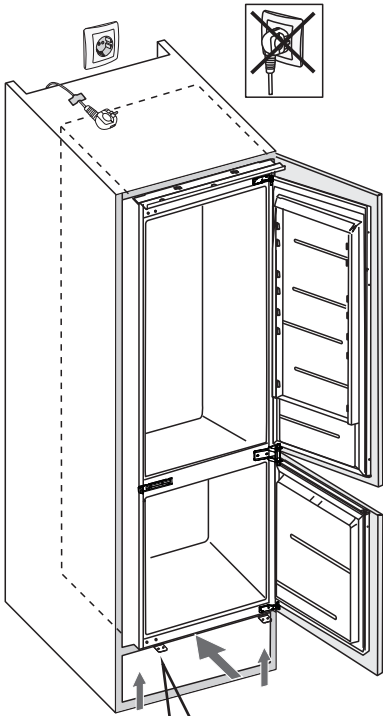
Fixe a junta ao dispositivo, se necessário, corte a parte excedente. Monte as partes inferiores com tampas plásticas.



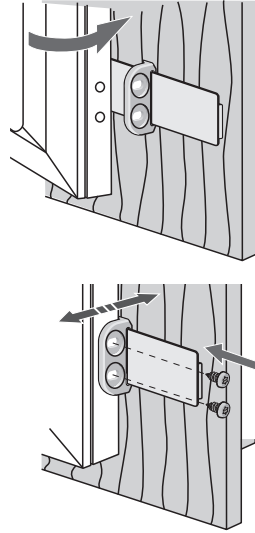
Use uma chave de fenda Phillips para soltar o pino de conexão sob a dobradiça central direita e ajustá-lo para parafusar na parede direita do gabinete.



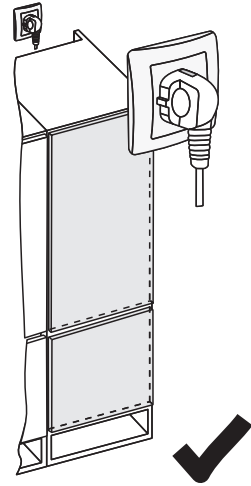
6



7



8



RICHTLINIEN ZUR SICHERHEIT DER VERWENDUNG.....	65
AUFSTELLUNG UND BETRIEBSBEDINGUNGEN DES GERÄTES.....	69
AUSPACKEN.....	71
ENTSORGUNG VON ALTGERÄTEN.....	71
STEUERUNG.....	72
BEDIENUNG UND FUNKTIONEN.....	74
DEN KÜHLSCHRANK EFFIZIENT NUTZEN.....	76
AUFTAUEN, WASCHEN UND PFLEGEN.....	78
FEHLERBEHEBUNG.....	80
INSTALLATIONSANLEITUNG.....	82

RICHTLINIEN ZUR SICHERHEIT DER VERWENDUNG

- Das Gerät ist nur für den Hausgebrauch bestimmt.
- Der Hersteller behält sich das Recht vor, Änderungen vorzunehmen, die den Betrieb des Gerätes nicht beeinträchtigen.
- Einige Bestimmungen in dieser Bedienungsanleitung sind für die Kühlung von Produkten verschiedener Art (für Kühl-, Kühl-Gefrier- oder Gefrierschrank) einheitlich
- Der Hersteller haftet nicht für Schäden, die durch die Nichtbeachtung der Anweisungen in diesem Handbuch entstehen.
- Bewahren Sie dieses Handbuch zum späteren Nachschlagen auf oder geben Sie es an den nächsten Benutzer weiter.
- Dieses Gerät ist nicht für den Gebrauch durch Personen (einschließlich Kinder) mit eingeschränkten körperlichen oder geistigen Fähigkeiten und Personen bestimmt, denen es an Erfahrung oder Vertrautheit mit dem Gerät mangelt.
- Lassen Sie Kinder das Gerät nicht benutzen. Lassen Sie sie nicht mit dem Gerät spielen. Sie dürfen nicht in die Schubladen klettern und an den Türen schwingen.
- Das Gerät funktioniert einwandfrei bei Umgebungstemperatur (siehe Produktdatei). Verwenden Sie es nicht im Keller, unbeheiztes Sommerhaus im Herbst und Winter.
- Halten Sie beim Aufstellen, Bewegen und Anheben des Geräts nicht die Türgriffe fest, ziehen Sie nicht am Kondensator am hinteren Teil des Kühlschranks und berühren Sie nicht die Kompressoreinheit.
- Kippen Sie den Gefrierschrank beim Transportieren, Bewegen oder Positionieren nicht um mehr als 40° aus der vertikalen Position. Sollte eine solche Situation auftreten, sollte das Gerät nach mindestens 2 Stunden nach dem Austausch in der richtigen Position eingeschaltet werden (Abb.2).
- Ziehen Sie vor jeder Wartungstätigkeit den Stecker aus der Steckdose. Ziehen Sie nicht am Kabel, sondern halten Sie stattdessen den Steckerkörper fest.
- Ziehen Sie vor jeder Wartungstätigkeit den Stecker aus der Steckdose. Ziehen Sie nicht am Kabel, sondern halten Sie stattdessen den Steckerkörper fest.
- Reparieren Sie das Gerät aus Sicherheitsgründen nicht selbst.

Reparaturen, die von Personen durchgeführt werden, die nicht über die erforderliche Qualifikation verfügen, können zu einer ernsthaften Gefahr für den Benutzer des Geräts führen.

- Lüften Sie den Raum, in dem das Gerät aufgestellt wird, einige Minuten lang (die Größe des Raums für ein Produkt, das Isobuthan/R600a enthält, muss mindestens 4m³ betragen), um Schäden am Kühlsystem zu vermeiden.
- Teilweise aufgetaute Produkte nicht wieder einfrieren.
- Lagern Sie Getränke in Flaschen und Dosen, insbesondere kohlenensäurehaltige Getränke, nicht in der Gefrierkammer. Die Dosen und Flaschen können explodieren.
- Nehmen Sie keine gefrorenen Produkte, die direkt aus dem Gefrierschrank genommen werden (Lollies, Eiswürfel usw.), in den Mund, da ihre niedrige Temperatur zu schweren Erfrierungen führen kann.
- Stellen Sie sicher, dass Sie das Kühlsystem nicht beschädigen, indem Sie die Kältemittelleitungen im Verdampfer durchstechen oder die Rohre brechen. Das Kältemittel ist brennbar. Wenn das Kältemittel mit den Augen in Berührung kommt, spülen Sie sie mit klarem Wasser aus und rufen Sie sofort einen Arzt auf.
- Wenn das Stromkabel gebrochen ist, sollte es in einer Fachwerkstatt durch ein neues ersetzt werden.
- Dieses Gerät ist für die Aufbewahrung von Lebensmitteln bestimmt, verwenden Sie es nicht für andere Zwecke.
- Bei Tätigkeiten wie Reinigung, Wartung oder Umzug muss das Gerät vollständig von der Stromversorgung getrennt werden (durch Ziehen des Steckers aus der Steckdose)
- Dieses Gerät kann von Kindern ab 8 Jahren oder von Personen mit körperlichen, geistigen oder sensorischen Behinderungen oder von Personen verwendet werden, die mit dem Gerät unerfahren oder unvertraut sind, sofern sie beaufsichtigt werden oder in den sicheren Umgang mit dem Gerät eingewiesen wurden und mit den mit der Verwendung des Geräts verbundenen Risiken vertraut sind. Stellen Sie sicher, dass Kinder nicht mit dem Gerät spielen. Die Reinigung und Wartung des Geräts sollte nicht von Kindern durchgeführt werden, es sei denn, sie sind 8 Jahre oder älter und werden von einer kompetenten Person beaufsichtigt.

Um mehr Platz im Gefrierschrank zu erhalten, können Sie die Schubladen entfernen und die Lebensmittel direkt in die Regale stellen. Dies hat keinen Einfluss auf die mechanischen Eigenschaften und die Kühlleistung des Produkts. Die angegebene Gefrierkapazität wurde bei entfernten Schubladen berechnet.


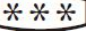



WARNUNG: Brandgefahr / brennbare Materialien

- Kinder im Alter von 3 bis 8 Jahren dürfen Kühlgeräte be- und entladen.

Um eine Kontamination von Lebensmitteln zu vermeiden, beachten Sie bitte die folgenden Hinweise:

- Ein längeres Öffnen der Tür kann zu einem erheblichen Temperaturanstieg in den Fächern des Geräts führen.
- Clean regularly surfaces that can come in contact with food and accessible drainagesystems.
- Bewahren Sie rohes Fleisch und Fisch in geeigneten Behältern im Kühlschrank auf, damit es nicht mit anderen Lebensmitteln in Berührung kommt oder auf diese tropft.
- Zwei-Sterne-Tiefkühlfächer eignen sich für die Lagerung von Tiefkühlkost, die Lagerung oder Herstellung von Speiseeis und die Herstellung von Eiswürfeln.
- Ein-, Zwei- und Drei-Sterne-Fächer sind nicht für das Einfrieren von frischen Lebensmitteln geeignet

	Abteile ART	Soll-Lagertemperatur [°C]	Angemessenes Futter
1	Kühlschrank	+2≤+8	Eier, gekochte Lebensmittel, verpackte Lebensmittel, Obst und Gemüse, Milchprodukte, Kuchen, Getränke und andere Lebensmittel sind nicht zum Einfrieren geeignet.
2	Gefrierschrank 	≤-18	Meeresfrüchte (Fisch, Garnelen, Schalentiere), Süßwasser-Wasserprodukte und Fleischprodukte (empfohlen für 3 Monate, je länger die Lagerzeit, desto schlechter der Geschmack und der Nährwert), geeignet für gefrorene frische Lebensmittel.
3	Gefrierschrank 	≤-18	Meeresfrüchte (Fisch, Garnelen, Schalentiere), Süßwasser-Wasserprodukte und Fleischprodukte (empfohlen für 3 Monate, je länger die Lagerzeit, desto schlechter der Geschmack und der Nährwert), sind nicht für gefrorene frische Lebensmittel geeignet.
4	Gefrierschrank 	≤-12	Meeresfrüchte (Fisch, Garnelen, Schalentiere), Süßwasser-Wasserprodukte und Fleischprodukte (empfohlen für 2 Monate, je länger die Lagerzeit, desto schlechter der Geschmack und der Nährwert), sind nicht für gefrorene frische Lebensmittel geeignet

5	Gefrierschrank	≤ -6	Meeresfrüchte (Fisch, Garnelen, Schalentiere), Süßwasser-Wasserprodukte und Fleischprodukte (empfohlen für 1 Monat, je länger die Lagerzeit, desto schlechter der Geschmack und der Nährwert), sind nicht für gefrorene frische Lebensmittel geeignet.
6	0- Sternen-Fach	$-6 \leq 0$	Frisches Schweinefleisch, Rindfleisch, Fisch, Huhn, einige verpackte verarbeitete Lebensmittel usw. (Es wird empfohlen, am selben Tag zu essen, vorzugsweise nicht länger als 3 Tage). Teilweise verkapselte verarbeitete Lebensmittel (nicht einfrierbare Lebensmittel)
7	Chill doch	$2 \leq +3$	Frisches/gefrorenes Schweinefleisch, Rindfleisch, Huhn, Süßwasseraquatische Produkte usw. (7 Tage unter 0°C und über 0°C werden für den Verzehr innerhalb dieses Tages empfohlen, vorzugsweise nicht länger als 2 Tage). Meeresfrüchte (weniger als 0 für 15 Tage, es wird nicht empfohlen, sie über 0°C zu lagern)
8	Frische Lebensmittel	$0 \leq +4$	Frisches Schweinefleisch, Rindfleisch, Fisch, Huhn, gekochte Speisen usw. (Es wird empfohlen, am selben Tag zu essen, vorzugsweise nicht länger als 3 Tage)
9	Wein	$+5 \leq +20$	rotwein, weißwein, sekt etc.

- Anmerkung: Bitte lagern Sie unterschiedliche Lebensmittel je nach Zusammensetzung oder Ziellagertemperatur Ihrer gekauften Produkte.
- Wenn das Kühlgerät längere Zeit leer steht, schalten Sie es aus, tauen Sie es ab, reinigen, trocknen Sie es und lassen Sie die Tür offen, um Schimmelbildung im Gerät zu vermeiden.
- Reinigung von Wasserspendern (speziell für Wasserspenderprodukte): Wassertanks reinigen, wenn sie 48 Stunden lang nicht benutzt wurden; Spülen Sie das an einen Wasseranschluss angeschlossene Wassersystem, wenn 5 Tage lang kein Wasser entnommen wurde.
- Gemäß der Verordnung (EU) 2019/2019 der Kommission beträgt die Mindestverfügbarkeitsdauer für Ersatzteile, die für die Reparatur des Geräts erforderlich sind, je nach Art und Verwendungszweck des Ersatzteils 7 oder 10 Jahre.
- Die Ersatzteilliste und das Bestellverfahren finden Sie auf den Webseiten des Herstellers, Importeurs oder eines Bevollmächtigten.
- Weitere Informationen zum Produkt finden Sie in der EU-EPREL-Produktdatenbank unter <https://eprel.ec.europa.eu>. Für weitere Informationen scannen Sie bitte mit Ihrem mobilen Endgerät den QR-Code auf dem Energielabel oder geben Sie das auf dem Energielabel aufgeführte Produktmodell in der EPREL-Suchmaschine ein <https://eprel.ec.europa.eu/>

AUFSTELLUNG UND BETRIEBSBEDINGUNGEN DES GERÄTES

Dieses Kühlgerät ist für die Verwendung als Einbaugerät vorgesehen.

Installation vor der ersten Inbetriebnahme des Gerätes

- Nehmen Sie das Produkt aus der Verpackung und entfernen Sie das Klebeband, das die Tür und das Gerät schützt. Verbleibende Klebeflecken können mit einem milden Waschmittel entfernt werden.
- Werfen Sie die Styroporelemente der Verpackung nicht weg. Wenn es notwendig ist, die Kühl-Gefrierkombination zu transportieren, verpacken Sie sie in die Styroporelemente und die Folie und schützen Sie sie mit Klebeband
- Reinigen Sie die Innenfläche des Kühl-Gefrierschranks und die Elemente des Geräts mit einem in lauwarmem Wasser gelösten Waschmittel und wischen Sie es trocken.
- Stellen Sie die Kühl-Gefrierkombination auf eine ebene, ebene und stabile Oberfläche, in einen trockenen, belüfteten und schattigen Raum, weit entfernt von Wärmequellen wie: Backofen, Kochfeld, Zentralheizungsheizkörper, Zentralheizungsrohre, Warmwasserinstallation usw.
- Auf der Außenseite des Produkts kann sich eine Schutzfolie befinden, diese Folien sollten entfernt werden.
- Stellen Sie sicher, dass das Gerät in eine horizontale Position gebracht wird, indem Sie die 2 verstellbaren Vorderbeine einschrauben (Abb.3)
- Um sicherzustellen, dass sich die Tür frei öffnen lässt, ist der Abstand zwischen der Seite des Geräts (auf der Seite der Türscharniere) und der Wand in Abbildung 5 dargestellt.*
- Sorgen Sie für eine ausreichende Belüftung des Raumes und eine freie Luftzirkulation von allen Seiten des Geräts (Abb.6).*

Mindestabstände zu den Wärmequellen

- aus dem Elektrogas und anderen Öfen - 30 mm,
- aus Öl- oder Kohleöfen - 300 mm,
- von Einbaubacköfen - 50mm

Wenn es nicht möglich ist, die oben genannten Abstände zu gewährleisten, stellen Sie eine geeignete Dämmplatte zur Verfügung.

Warnung:

- Die Rückwand des Kühlschranks, insbesondere der Kondensator und andere Elemente des Kühlsystems dürfen nicht mit anderen Elementen in Berührung kommen, die sie beschädigen können (z. B. Zentralheizungsrohre und Wasserversorgungsleitungen).
- Es ist verboten, Teile des Geräts nachzujustieren oder zu modifizieren. Entscheidend ist, dass das in der Kompressor mulde sichtbare Kapillarrohr nicht beschädigt wird. Der Schlauch darf nicht gebogen, begradigt oder gewickelt werden.
- Wenn das Kapillarrohr durch den Benutzer beschädigt wird, erlischt die Garantie (Abb. 8).
- Bei einigen Modellen wird der Griff in das Gerät gesteckt, Sie sollten ihn mit Ihrem eigenen Schraubendreher verschrauben,

Netzanschluss

- Es wird empfohlen, den Temperaturregler vor dem Anschließen auf "OFF" oder eine andere Position zu stellen, die das Gerät von der Stromversorgung trennt (siehe Seite mit der Beschreibung der Steuerung).
- Dieses Gerät sollte an eine Wechselstromsteckdose mit 220-240 V und 50 Hz angeschlossen werden. Die Steckdose muss ordnungsgemäß montiert sein und mit einem Schutzrohr und einer 10A-Sicherung geliefert werden.

- Es ist gesetzlich vorgeschrieben, dass das Gerät ordnungsgemäß geerdet ist. Der Hersteller haftet nicht für Schäden oder Verletzungen, die sich aus der Nichterfüllung dieser Anforderung ergeben können.
- Verwenden Sie keine Adapter, Mehrfachsteckdosen und zweiadrige Verlängerungskabel. Wenn das Verlängerungskabel verwendet werden muss, muss es mit einem Schutzring und einer Einzelbuchse ausgestattet sein und über ein VDE/GS-Sicherheitszertifikat verfügen.
- Wenn ein Verlängerungskabel (mit Schutzring und Sicherheitszertifikat) verwendet wird, muss sich seine Steckdose in sicherer Entfernung von den Waschbecken befinden und darf sich nicht an einem Ort befinden, an dem es durch Wasser oder Abwasser überflutet werden könnte.
- Detaillierte Spezifikationen entnehmen Sie bitte dem Typenschild am unteren Teil der Innenwand des Gerätes **.

Trennen des Stromnetzes

Stellen Sie sicher, dass das Gerät leicht vom Stromnetz getrennt werden kann, indem Sie entweder den Stecker aus der Steckdose ziehen oder den zweipoligen Schalter ausschalten (Abb. 9).

Klimabereich

Die Informationen über den Klimabereich des Gerätes finden Sie auf dem Typenschild. Sie gibt an, bei welcher Umgebungstemperatur (d. h. Raumtemperatur, in der das Gerät arbeitet) der Betrieb des Gerätes optimal (richtig) ist.

Klimaklasse		Zulässige Umgebungstemperatur
SN	Erweiterte Temperate	Dieses Kühlgerät ist für den Einsatz bei einer Umgebungstemperatur zwischen 10 °C und 32 °C vorgesehen
N	Gemäßigt	Dieses Kühlgerät ist für den Einsatz bei einer Umgebungstemperatur zwischen 16 °C und 32 °C vorgesehen
ST	Subtropical	Dieses Kühlgerät ist für den Einsatz bei einer Umgebungstemperatur zwischen 16 °C und 38 °C vorgesehen
T	Tropisch	Dieses Kühlgerät ist für den Einsatz bei einer Umgebungstemperatur zwischen 16 °C und 43 °C vorgesehen

* Nur freistehende Geräte

** Je nach Modell

AUSPACKEN



Während des Transports wurde eine Schutzverpackung verwendet, um das Gerät vor Beschädigungen zu schützen. Bitte entsorgen Sie nach dem Auspacken alle Verpackungselemente so, dass die Umwelt nicht geschädigt wird.

Alle Materialien, die für die Verpackung des Geräts verwendet werden, sind umweltfreundlich. Sie sind zu 100% recycelbar und mit dem entsprechenden Symbol gekennzeichnet.

Wichtig! Verpackungsmaterialien (Tüten, Polyethylen, Styropor usw.) sollten beim Auspacken von Kindern ferngehalten werden.

ENTSORGUNG VON ALTGERÄTEN



In Übereinstimmung mit der europäischen Richtlinie 2012/19/EU und der lokalen Gesetzgebung für Elektro- und Elektronik-Altgeräte ist dieses Gerät mit dem Symbol des durchgestrichenen Abfallbehälters gekennzeichnet. Diese Kennzeichnung weist darauf hin, dass das Gerät nach Gebrauch nicht zusammen mit dem anderen Hausmüll entsorgt werden darf.

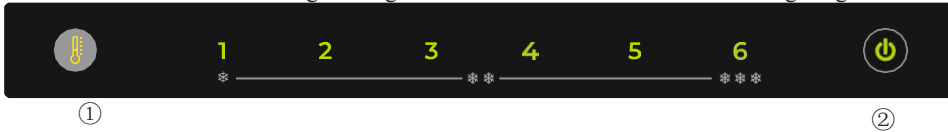
Der Benutzer ist verpflichtet, diese an eine Abfallsammelstelle abzugeben, die gebrauchte Elektro- und Elektronikgeräte sammelt. Die Sammler, einschließlich lokaler Sammelstellen, Geschäfte und lokaler Behörden, bieten Recyclingsysteme an.

Der sachgemäße Umgang mit gebrauchten Elektro- und Elektronikgeräten trägt dazu bei, Umwelt- und Gesundheitsgefahren zu vermeiden, die durch das Vorhandensein gefährlicher Komponenten und die unsachgemäße Lagerung und Verarbeitung solcher Güter entstehen.

STEUERUNG

Geräte-Bedienelemente

Das Bedienfeld ist in Abbildung 10 dargestellt. Als Referenz wird es auch unten gezeigt:



Passen Sie die Temperatur im Inneren des Geräts an

1. Wenn das Gerät an die Stromversorgung angeschlossen ist, startet es auf Stufe 4.
2. Wenn Sie die Kühlschranktür öffnen, schaltet sich die Hintergrundbeleuchtung des Bedienfelds ein und die Beleuchtung im Kühlraum ist eingeschaltet. Der Ventilator im Kühlschrank schaltet sich aus. Nach 1 Minute nach dem Öffnen der Tür hören Sie einen Piepton. Nach ca. 7 Minuten nach dem Öffnen der Tür erlischt die Beleuchtung. Berühren Sie den Schalter, um die Beleuchtung wieder einzuschalten. Wenn die Kühlschranktür geöffnet wird, leuchtet das Bedienfeld. Wenn Sie die Tür schließen, wird das Licht sofort ausgeschaltet und die Hintergrundbeleuchtung des Bedienfelds erlischt nach 1 Minute.
3. Drücken Sie ①, um die Temperatur in der Kammer einzustellen. Wählen Sie die Einstellung zwischen 1 und 6. 1 — die höchste Temperatur; 6 — die niedrigste Temperatur. Halten Sie ② 3 Sekunden lang gedrückt, um das Gerät auszuschalten. Die Taste leuchtet auf und die Stromversorgung wird unterbrochen. Die Beleuchtung in der Kühlkammer und der Kompressor schalten sich aus. Halten Sie die Taste 3 Sekunden lang gedrückt, um die Gerät erneut verwenden. Die Anzeige leuchtet auf, wenn das Gerät eingeschaltet ist. rostfreie Modelle verfügen über die Zwangsabtaufunktion. Um Reinigungs- oder Wartungsarbeiten durchzuführen, entfernen Sie Frost vom Gefrierverdampfer. Halten Sie die Tasten ① und ② gleichzeitig 3 Sekunden lang gedrückt, um die Zwangsabtauung zu aktivieren. Die ①-Taste blinkt. Die Funktion wird deaktiviert, wenn die Temperatur 10–12 °C erreicht. Halten Sie die Tasten ① und ② gleichzeitig 3 Sekunden lang gedrückt. Sie können die Funktion zum erzwungenen Abtauen jederzeit deaktivieren. Die Taste stoppt blinkt.
4. Dieses Gerät kann Fehler anzeigen und einen Alarm auslösen. Im Fehlerfall wird ein Fehlercode auf der Temperaturanzeige angezeigt und das Gerät läuft weiter.

Zusätzliche Informationen zur Temperatur

- Die Temperatur im Inneren des Geräts wird von vielen Faktoren beeinflusst. Wie Sie den Temperaturregler einstellen, hängt von der Umgebungstemperatur, der Sonneneinstrahlung, der Häufigkeit des Türöffnens und der Menge der gelagerten Lebensmittel ab. Die mittlere Einstellung des Zifferblatts ist in den meisten Fällen am optimalsten.
- Legen Sie Lebensmittel nicht in den Kühlschrank mit Gefrierfach, bevor sie ihre Betriebstemperatur erreicht haben, was mindestens 4 Stunden dauert.
- Ändern Sie die Temperatureinstellungen nicht aufgrund der Änderung der Jahreszeit. Der Anstieg der Umgebungstemperatur wird vom Sensor erkannt und der Kompressor wird automatisch für einen längeren Zeitraum eingeschaltet, um die eingestellte Temperatur in den Kammern aufrechtzuerhalten.
- Die leichten Temperaturschwankungen sind völlig normal und können zum Beispiel bei der Lagerung großer Mengen frischer Produkte im Kühlschrank oder bei längerem Öffnen der Tür auftreten. Dies hat keinen Einfluss auf den Zustand der gelagerten Lebensmittel und die Temperatur kehrt schnell auf den eingestellten Wert zurück.

Passen Sie die Luftfeuchtigkeit in der VitControl-Box an

(Abb. 17)

Verschiedene Produkte, wie Obst oder Gemüse, benötigen eine angemessene Luftfeuchtigkeit, um länger frisch zu bleiben. Die VitControl-Box ist mit einem Schieber ausgestattet (Abb. 17), so dass die Box mit mehr Luft versorgt werden kann, wodurch sich die Luftfeuchtigkeit in der Box ändert.

1. Kastenabdeckung
2. Schieberegler zur Einstellung der Luftzufuhr
3. Gemüsebox vorne


Früchte benötigen eine geringere Luftfeuchtigkeit, daher muss die Luftzufuhr mit einem Schieber geöffnet werden. Bei Gemüse ist es umgekehrt, um es länger frisch zu halten, solltest du den Luftstrom mit einem Schieber schließen. Die genaue Position des Schiebereglers hängt von Ihren eigenen Vorlieben ab.

PS: Die obige Aussage ist nur verfügbar, wenn das Produkt über einen Feuchtigkeitsregler verfügt.

BEDIENUNG UND FUNKTIONEN

Aufbewahrung von Lebensmitteln in der Kühl-Gefrierkombination


- Die Produkte sollten auf Tellern, in Behältern oder in Lebensmittelfolie verpackt werden. Verteilen Sie sie gleichmäßig auf den Regalen.
- Wenn die Lebensmittel mit der Rückwand in Berührung kommen, kann es zu Zuckerguss oder Benetzung der Produkte kommen.
- Stellen Sie kein Geschirr mit warmen Speisen in den Kühlschrank
- Produkte, die leicht Aromen aufnehmen, wie Butter, Milch, Weißkäse und Produkte mit intensivem Geschmack, wie Fisch, geräuchertes Fleisch, Hartkäse, müssen in Regale gestellt, in Lebensmittelverpackung verpackt oder in dicht verschlossenen Behältern aufbewahrt werden.
- Die Lagerung von Gemüse, das erhebliche Mengen Wasser enthält, führt zur Ablagerung von Kondenswasser auf den Gemüsebehältern und beeinträchtigt nicht das ordnungsgemäße Funktionieren des Kühlschranks.
- Bevor Sie das Gemüse in den Kühlschrank stellen, trocknen Sie es gut ab.
- Übermäßige Feuchtigkeit verkürzt die Haltbarkeit von Gemüse, insbesondere von Blattgemüse.
- Waschen Sie das Gemüse nicht, bevor Sie es im Kühlschrank aufbewahren. Durch das Waschen wird der natürliche Schutz entfernt, daher ist es besser, das Gemüse direkt vor dem Verzehr zu waschen.
- Es wird empfohlen, die Produkte bis zur natürlichen Beladungskapazität in die Gefrierschubladen 1, 2, 3* zu legen (Abb. 11a / 11b).**

1. Verpackte Produkte
2. Regal
3. Natürliche Belastbarkeit
4. 

- Das Stapeln von Produkten in den Gefrierregalen ist akzeptabel.*
- Es ist zulässig, Produkte um 20-30 mm außerhalb der natürlichen Belastbarkeit zu platzieren.**
- Um die Ladekapazität der Gefrierkammer zu erhöhen und das Stapeln von Produkten auf den Drahtböden des Gefrierverdampfers bis zur maximalen Höhe zu ermöglichen, ist es möglich, die Schubladen 1 und 2 zu entfernen.*

Einfrieren von Lebensmitteln **


- Praktisch alle Lebensmittel, mit Ausnahme von roh verzehrtem Gemüse, wie z. B. Salat, können eingefroren werden.
- Only food products of the highest quality, divided into small portions for single use, should be frozen.
- Products should be packed in materials that are odourless, resistant to air and moisture penetration, and not susceptible to fat. Plastic bags, polyethylene and aluminium sheets are the best wrapping materials.
- The packaging should be tight and should stick to the frozen products. Do not use glass containers.
- Halten Sie frische und warme Lebensmittel bei Raumtemperatur fern von den Produkten, die bereits eingefroren sind.
- Wir empfehlen Ihnen, nicht mehr frische Lebensmittel pro Tag in den Gefrierschrank zu stellen (siehe Tabelle mit technischen Spezifikationen).
- Um eine optimale Qualität der Tiefkühlkost zu erhalten, ordnen Sie die Lebensmittel, die sich in der Mitte des Gefrierschranks befinden, so an, dass sie die noch nicht gefrorenen Produkte nicht berühren.
- Es wird empfohlen, die bereits gefrorenen Produkte zur Seite zu schieben und die frischen Produkte, die eingefroren werden sollen, auf der gegenüberliegenden Seite so nah wie möglich an den Rück- und Seitenwänden zu platzieren.

- Verwenden Sie zum Einfrieren von Produkten den markierten Raum .
- Denken Sie daran, dass die Temperatur im Gefrierschrank von mehreren Faktoren beeinflusst wird, darunter die Umgebungstemperatur und die Menge der Lebensmittel in der Kammer, die Häufigkeit des Öffnens der Tür, die Menge an Frost im Gefrierschrank und die Thermostateinstellung.
- Wenn Sie die Gefrierschranktür nicht sofort nach dem Schließen öffnen können, warten Sie 1-2 Minuten, bis der Unterdruck ausgeglichen ist, und versuchen Sie erneut, die Tür zu öffnen.

Die Lagerzeit für Tiefkühlprodukte hängt von ihrer Qualität vor dem Einfrieren im frischen Zustand und von der Lagertemperatur ab. Die folgenden Lagerungsfristen werden empfohlen, wenn die Temperatur von -18 °C oder niedriger gehalten wird:


Produkte	Monate
Rindfleisch	6-8
Kalbfleisch	3-6
Innereien	1-2
Schweinefleisch	3-6
Geflügel	6-8
Eier	3-6
Fisch	3-6
Gemüse	10-12
Obst	10-12

Lagern Sie gefrorene Lebensmittel nicht in einer Schnellkühlkammer. In dieser Kammer können Eiswürfel zubereitet und aufbewahrt werden.

Anmerkung: Wenn das Gerät kein Gefrierfach () hat, ist es nicht zum Einfrieren von Lebensmitteln geeignet.

* Anwendbar für Geräte mit einem Gefrierfach an der Unterseite des Geräts.

** Anwendbar für Geräte mit Gefrierfach .

*** Gilt nicht für Geräte mit einem gekennzeichneten Gefrierfach .

DEN KÜHLSCHRANK EFFIZIENT NUTZEN

Praktische Tipps für den Alltag

- Stellen Sie Kühl- oder Gefrierschränke nicht in der Nähe von Heizkörpern, Heizungen, Öfen oder direktem Sonnenlicht aus.
- Stellen Sie sicher, dass die Lüftungsschlitze nicht abgedeckt sind, und entfernen Sie ein- bis zweimal im Jahr den Staub.
- Wählen Sie die richtige Temperatur: 6 bis 8 °C im Kühlschrank und -18 °C im Gefrierschrank sind ausreichend.
- Wenn Sie im Urlaub sind, erhöhen Sie die Temperatur in Ihrem Kühlschrank.
- Öffnen Sie Ihren Kühl- oder Gefrierschrank nur, wenn es nötig ist. Es ist hilfreich, wenn Sie wissen, welche Lebensmittel jedes enthält und wo es sich befindet. Legen Sie Lebensmittel so schnell wie möglich nach Gebrauch wieder in den Kühl- oder Gefrierschrank, damit sie sich nicht zu stark erwärmen.
- Wischen Sie das Innere Ihres Kühlschranks regelmäßig mit einem in einem milden Reinigungsmittel getränkten Tuch ab. Geräte, die nicht selbstabtauend sind, müssen regelmäßig abgetaut werden. Lassen Sie keine Frostschichten mit einer Dicke von mehr als 10 mm entstehen.
- Halten Sie die Dichtung um die Tür sauber, da sie sonst nicht richtig schließt. Ersetzen Sie defekte Dichtungen immer.

Die Sterne verstehen



Die Temperatur beträgt mindestens -6°C; Ausreichend, um Tiefkühlkost etwa eine Woche lang aufzubewahren. Schubladen oder Fächer, die mit einem Stern gekennzeichnet sind, waren früher ein Merkmal von (meistens) billigeren Kühlschränken.



Lebensmittel können bei -12°C oder darunter 1-2 Wochen gelagert werden, ohne ihren Geschmack zu verlieren. Nicht zum Einfrieren von Lebensmitteln geeignet.



Diese Einstufung wird hauptsächlich verwendet, um Lebensmittel bei -18 °C oder darunter zu lagern. Kann auch zum Einfrieren von bis zu 1 Kilogramm frischer Lebensmittel verwendet werden.



Dieses Gerät eignet sich für die Lagerung von Lebensmitteln bei -18 °C oder darunter und das Einfrieren größerer Mengen frischer Lebensmittel.

Praktische Tipps

Durch die natürliche Zirkulation der Luft im Gerät gibt es unterschiedliche Temperaturzonen im Kühlraum.

- Der kälteste Bereich befindet sich direkt über den Gemüseschubladen. Verwenden Sie diesen Bereich für alle empfindlichen und leicht verderblichen Lebensmittel, z.:
 - Fisch, Fleisch, Geflügel
 - Wurstwaren, Fertiggerichte
 - Geschirr oder Backwaren, die Eier oder Sahne enthalten
 - Frischer Teig, Kuchenmischungen
 - Vorverpackte Gemüse- und andere frische Lebensmittel mit einem Etikett sollten bei einer Temperatur von ca. 4°C aufbewahrt werden.
- Der wärmste Bereich befindet sich im oberen Bereich der Tür. Verwenden Sie dies zum Aufbewahren von Butter und Käse.

Lebensmittel, die nicht im Kühlschrank aufbewahrt werden sollten

- Nicht alle Lebensmittel sind für die Aufbewahrung im Kühlschrank geeignet, insbesondere:
 - Fruit and vegetables which are sensitive to cold, such as bananas, avocado, papa- ya, passion fruit, aubergines, peppers, tomatoes and cucumbers.
 - Fruit which is not yetripe
 - Potatoes

Warning:

Beispiel für die Lagerung von Lebensmitteln - siehe Abbildung 12.

Um eine möglichst effektive Lebensmittelkonservierung zu erreichen und die Verschwendung von Lebensmitteln zu vermeiden, positionieren Sie die Produkte wie in Abbildung 12 gezeigt. Darüber hinaus veranschaulicht diese Abbildung die Anordnung von Schubladen, Körben und Regalen, die eine möglichst effiziente Energienutzung ermöglicht.

Optimale Temperatur- und Lagerbedingungen verlängern die Haltbarkeit der Produkte und optimieren den Stromverbrauch. Der optimale Lagertemperaturbereich sollte auf der Lebensmittelverpackung angegeben werden.

AUFTAUEN, WASCHEN UND PFLEGEN

Reinigen Sie das Gehäuse oder Kunststoffteile des Produkts niemals mit Lösungsmitteln oder starken, scheuernden Reinigungsmitteln (z. B. Waschpulver oder Cremes)! Verwenden Sie nur milde Flüssigwaschmittel und weiche Tücher. Verwenden Sie keine Schwämme.

Kühlschrank abtauen ***

- Frost setzt sich an der Rückwand der Kühlkammer ab. Es wird automatisch entfernt. Während des Abtauens kann das verunreinigungshaltige Kondensat die Öffnung im Durchgang verstopfen. Sollte dies der Fall sein, reinigen Sie die Öffnung vorsichtig mit dem Reinigungstopfen (Abb.13).
- Das Gerät arbeitet in Zyklen: Es kühlt (dann setzt sich der Frost an der Rückwand ab) und taut ab (Wasser fließt an der Rückwand herunter)
- Trennen Sie das Gerät vor der Reinigung vom Stromnetz, indem Sie den Stecker aus der Steckdose ziehen oder die Sicherung ausschalten. Verhindern Sie, dass Wasser in das Bedienfeld oder die Leuchte eindringt.
- Verwenden Sie keine Auftauaerosole. Sie können ein explosionsfähiges Gemisch verursachen oder Lösungsmittel enthalten, die die Kunststoffteile des Gerätes beschädigen und sogar gesundheitsschädlich sein können.
- Achten Sie darauf, dass das zur Reinigung verwendete Wasser nicht durch die Auslassöffnung in den Verdunstungsbehälter fließt.
- Das gesamte Gerät, mit Ausnahme der Türdichtung, muss mit einem milden Reinigungsmittel gereinigt werden. Die Türdichtung sollte mit Wasser gereinigt und trocken gewischt werden.
- Waschen Sie sämtliches Zubehör (Gemüsebehälter, Türablagen, Glasböden usw.).

Tauen Sie die Gefrierkammer wie folgt ab:**

- Schalten Sie das Gerät über das Bedienfeld ein und ziehen Sie den Stecker aus der Steckdose.
- Öffnen Sie die Tür und nehmen Sie die Lebensmittel aus dem Gefrierschrank.
- Ziehen Sie je nach Modell den Ablaufschlauch heraus, der sich am Boden des Gefrierfachs befindet, und stellen Sie ein geeignetes Gefäß darunter.
- Lassen Sie die Tür offen, dies beschleunigt den Abtauvorgang. Zusätzlich kann ein Topf mit heißem Wasser (nicht kochend) in das Gefrierfach gestellt werden.
- Waschen Sie das Innere des Gefrierschranks und wischen Sie es trocken.
- Schalten Sie das Gerät gemäß dem entsprechenden Punkt in der Bedienungsanleitung ein.

Automatisches Abtauen des Kühlschranks ****

Die Kühlkammer wurde mit einer automatischen Abtaufunktion ausgestattet. Trotzdem kann sich Frost an der Rückwand des Kühlraums absetzen. Dies geschieht normalerweise, wenn große Mengen frischer Lebensmittel im Kühlschrank gelagert werden.

Automatisches Abtauen des Gefrierschranks ****

Die Gefrierkammer ist mit einer automatischen Abtaufunktion (No-Frost) ausgestattet. In der gekühlten Umluft werden die Lebensmittel eingefroren und die Feuchtigkeit aus der Gefrierkammer nach außen abgeführt. Dadurch entstehen im Gefrierschrank kein Eis und kein Frost und die Produkte frieren nicht aneinander an.

Kühl- und Gefrierkammer manuell waschen ****

Es wird empfohlen, die Kühl- und Gefrierkammern mindestens einmal im Jahr zu waschen. Dies verhindert die Bildung von Bakterien und schlechten Gerüchen. Schalten Sie das Gerät mit der Taste (1) aus, nehmen Sie die Lebensmittel aus den Kammern und waschen Sie sie mit Wasser und einem milden Reinigungsmittel. Wischen Sie dann die Kammern mit einem Tuch trocken.

Herausnehmen und in die Regale stellen *****

Schieben Sie das Regal heraus und schieben Sie es dann so weit wie möglich hinein, damit die Klemme in die Führungsnut passt (Abb. 15).

Herausnehmen und Einsetzen der Türablage *****

Heben Sie die Türablage an, nehmen Sie sie heraus und bringen Sie sie von oben wieder in die gewünschte Position (Abb. 16).

WARNUNG! Sie dürfen auf keinen Fall eine elektrische Heizung, ein Heizgebläse oder einen Haartrockner in den Gefrierschrank stellen.

- ** Anwendbar für Geräte mit Gefrierfach
Gilt nicht für Geräte mit einem frostfreien System.
- *** Anwendbar für Geräte mit Kühlfach
Gilt nicht für Geräte mit einem frostfreien System.
- **** Anwendbar für Geräte mit einem frostfreien System.
- ***** Gilt nicht für Gefrierschränke

FEHLERBEHEBUNG

Probleme	Mögliche Ursachen	Heilmittel
Das Gerät funktioniert nicht	Der Stromkreis ist unterbrochen	<ul style="list-style-type: none"> - Prüfen Sie, ob der Stecker richtig in die Steckdose eingesteckt ist - Überprüfen Sie, ob das Netzkabel des Geräts nicht beschädigt ist - Überprüfen Sie, ob Spannung in der Steckdose anliegt, indem Sie ein anderes Gerät, z. B. eine Nachtlampe, anschließen - Prüfen Sie, ob das Gerät eingeschaltet ist, indem Sie den Thermostat auf eine Position über 0 stellen.
Die Beleuchtung in der Kammer funktioniert nicht	Die Glühbirne ist lose oder verschmolzen (nur Geräte mit Glühbirnenbeleuchtung)	- Setzen Sie die Glühbirne richtig ein oder ersetzen Sie sie (siehe Abschnitt oben "Austausch der Innenbeleuchtungsbirne)
Das Gerät arbeitet ununterbrochen	<p>Falsches Einstellen des Einstellknopfes</p> <p>Siehe. "Die Temperatur im Inneren des Geräts ist nicht niedrig genug, um andere mögliche Ursachen zu beschreiben</p>	<p>- Setzen Sie den Knopf in eine niedrigere Position zurück</p> <p>Siehe. "Die Temperatur im Inneren des Geräts ist nicht niedrig genug, um andere mögliche Abhilfemaßnahmen zu beschreiben</p>
Wasser sammelt sich im unteren Teil des Geräts	Die Wasseraustrittsöffnung ist verstopft (je nach Modell)	- Reinigen Sie die Auslauföffnung (siehe Bedienungsanleitung – Kapitel "Kühlschrank abtauen")
	Interne Luftzirkulation behindert	- Stellen Sie die Lebensmittel und Behälter so auf, dass sie die Rückwand des Kühlschranks nicht berühren
Das Gerät erzeugt ungewöhnliche Geräusche	<p>Falsche Nivellierung des Gerätes</p> <p>Das Gerät berührt Möbel und/oder andere Gegenstände</p>	<p>- Nivellieren Sie das Gerät richtig</p> <p>- Stellen Sie das Gerät an einem Ort auf, an dem ein ausreichender Abstand gewährleistet ist</p>

Probleme	Mögliche Ursachen	Heilmittel
Die Temperatur im Inneren des Geräts ist nicht niedrig genug oder zu hoch	Falsche Einstellung des Einstellknopfes	- Setzen Sie den Knopf auf eine höhere Position zurück
	Die Umgebungstemperatur ist höher oder niedriger als der Klimabereich aus Tabelle mit technischen Spezifikationen	- Das Gerät ist für den Betrieb im Klimabereich von der Tabelle mit technischen Spezifikationen angepasst.
	Das Gerät befindet sich an einem sonnenbeschienenen Ort oder in der Nähe von Wärmequellen	- Stellen Sie das Gerät an einen anderen Ort. Beachten Sie die in der Bedienungsanleitung enthaltenen Richtlinien
	Zu viel warmes Essen auf einmal geladen	- Warten Sie 72 Stunden, bis die Lebensmittel abgekühlt sind (gefrieren) und die gewünschte Temperatur in der Kammer erreicht ist - Stellen Sie die Lebensmittel und Behälter so auf, dass sie die Rückwand des Kühlschranks nicht berühren
	Interne Luftzirkulation behindert	- Stellen Sie das Gerät min. 30 mm von der Wand entfernt auf
	Die Luftzirkulation an der Rückseite des Gerätes wird behindert	- reduzieren sie die häufigkeit des öffnens der tür und/oder verkürzen sie die zeit, in der die tür geöffnet bleibt
	Die Tür des Kühl-/Gefrierschranks wird zu oft geöffnet und/oder bleibt zu lange offen	- Platzieren Sie die Lebensmittel und Behälter so, dass sie die geschlossene Tür nicht beeinträchtigen
	Die Tür schließt nicht vollständig	- Prüfen Sie, ob die Umgebungstemperatur nicht niedriger als die Klimaklasse ist
	Der Kompressor wird zu selten eingeschaltet	- Drücken Sie die Dichtung ein
	Türdichtung falsch eingesetzt	

Während des normalen Gebrauchs des Kühlschranks sind bestimmte Geräusche zu hören, die den ordnungsgemäßen Betrieb nicht beeinträchtigen.

Geräusche, die sich leicht verhindern lassen:

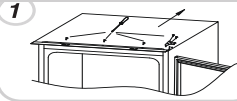
- Geräusche, die durch das Gerät verursacht werden, das nicht waagrecht ist - stellen Sie die Position mit den verstellbaren Einlenkfüßen ein. Alternativ können Sie Pads aus weichem Material unter die hinteren Walzen legen, insbesondere wenn das Gerät auf Fliesen steht.
- Berühren Sie das benachbarte Möbelstück - stellen Sie den Kühlschrank weg.
- Knarren der Schubladen oder Regale - Schubladen- oder Regal herausnehmen und wieder einsetzen.
- Geräusche von klirrenden Flaschen - Schieben Sie Flaschen auseinander.

Geräusche, die während des normalen Gebrauchs zu hören sind, sind hauptsächlich auf den Betrieb des Thermostats, des Kompressors (Einschalten) und des Kühlsystems zurückzuführen (Wärmeausdehnung und Kontraktion des Kühlers durch den Durchfluss des Kühlmittels).

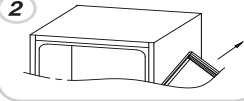
INSTALLATIONSANLEITUNG

UMKEHREN DES ÖFFNENS DER TÜREN

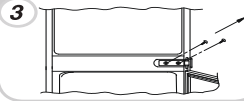
Entfernen Sie die obere Platte und das Scharnier mit einem Schraubendreher.



Entferne die obere Tür.



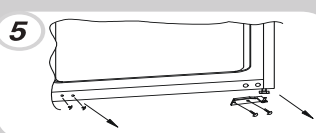
Entfernen Sie das mittlere Scharnier und den darunter liegenden Verbindungsstift.



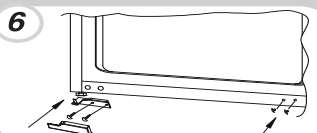
Entfernen Sie die untere



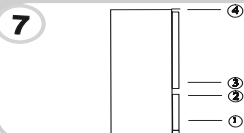
Entfernen Sie das rechte untere Scharnier und die linken Kunststoffstopfen und setzen Sie sie wieder auf die gegenüberliegende Seite.



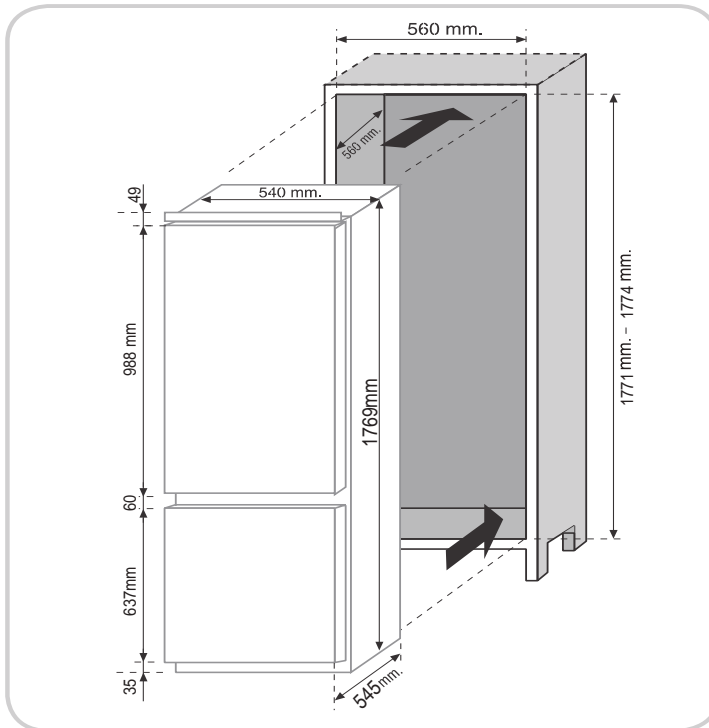
Verwenden Sie das gegenüberliegende Scharnier und die Abdeckung und passen Sie es in die linke Unterseite ein.



Montieren Sie die Türen und Scharniere von unten nach oben, von 1-4.

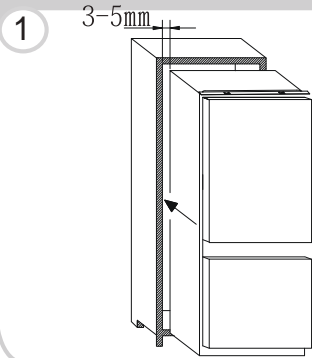


PRODUKTABMESSUNGEN UND EINGEBAUTES FACH

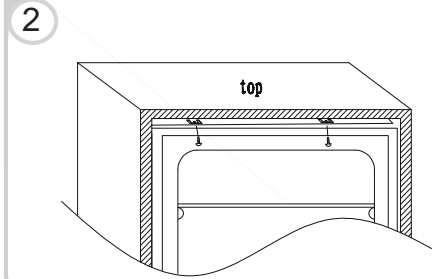


EINBAU DES GERÄTES IN DIE SÄULE

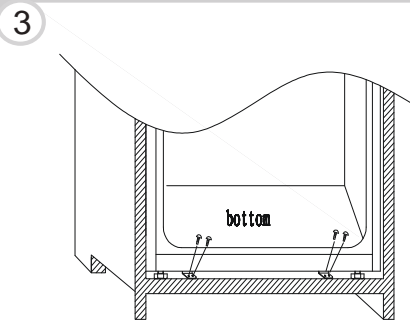
Setzen Sie das Gerät in die Säule ein, stellen Sie es auf die gegenüberliegende Seite der Scharniere und achten Sie auf einen Abstand von 3-5 mm.



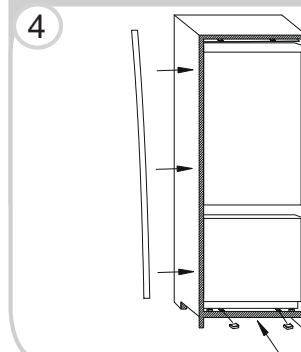
Nachdem Sie die Übereinstimmung zwischen Gerätetür und Säulentür sichergestellt haben, schrauben Sie das Geräteoberteil an den Schrank



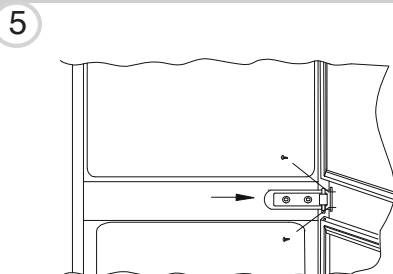
Schrauben Sie das Geräteunterteil fest.



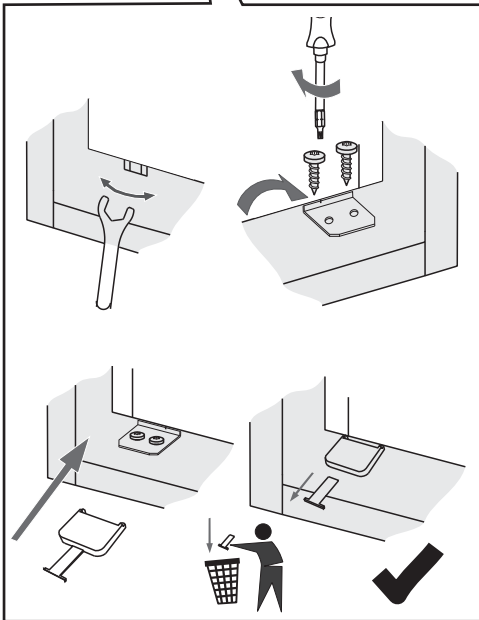
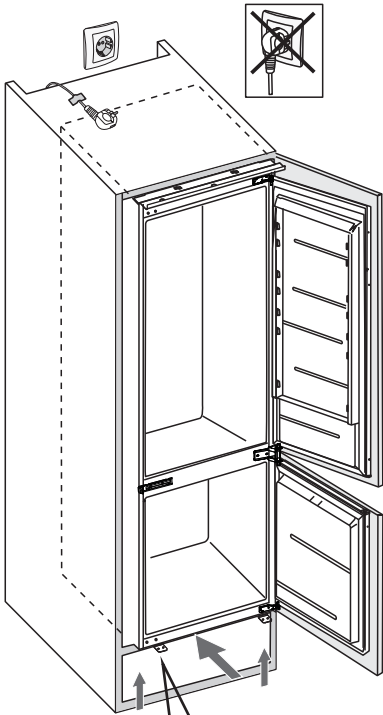
Bringen Sie die Dichtung am Gerät an, schneiden Sie ggf. den überschüssigen Teil ab. Montieren Sie die Unterteile mit Kunststoffabdeckungen.



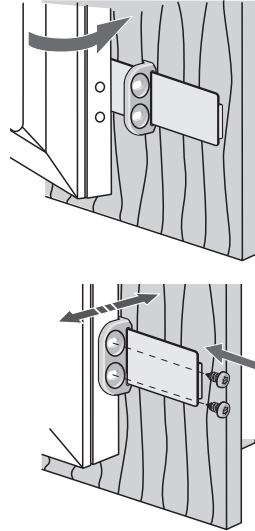
Verwenden Sie einen Kreuzschraubendreher, um den Verbindungsstift unter dem rechten mittleren Scharnier zu lösen, und stellen Sie ihn so ein, dass er an die rechte Schrankwand geschraubt wird.



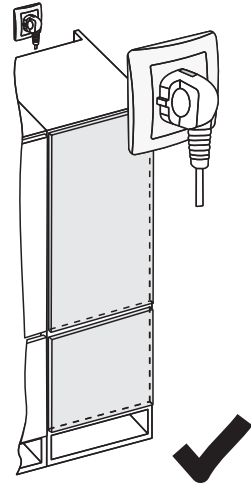
6



7



8



FR

Table des matières

INSTRUCTIONS GENERALES CONCERNANT LA SECURITE D'UTILISATION.....	86
CONDITIONS D'INSTALLATION ET DE FONCTIONNEMENT DE L'APPAREIL.....	90
DEBALLAGE.....	92
ÉLIMINATION DE L'ÉQUIPEMENT USAGÉ.....	92
CONTRÔLE.....	93
FONCTIONNEMENT ET FONCTIONS.....	95
UTILISATION EFFICACE DU RÉFRIGÉRATEUR.....	97
DÉCONGÉLATION, LAVAGE ET ENTRETIEN.....	99
DÉPANNAGE.....	101
INSTALLATION.....	103

LIGNES DIRECTRICES SUR LA SÉCURITÉ D'UTILISATION

- L'appareil est destiné à un usage domestique uniquement.
- Le fabricant se réserve le droit d'apporter des modifications qui n'affectent pas le fonctionnement de l'appareil.
- Certaines dispositions du présent manuel d'instructions sont uniformes pour le refroidissement de produits de différents types (réfrigérateurs, réfrigérateurs, congélateurs ou congélateurs)
- Le fabricant n'est pas responsable des dommages causés par le non-respect des instructions de ce manuel.
- Conservez ce manuel pour référence ultérieure ou donnez-le à l'utilisateur suivant.
- Cet appareil n'est pas destiné à être utilisé par des personnes (y compris des enfants) ayant des capacités physiques ou mentales réduites et des personnes qui manquent d'expérience ou de familiarité avec l'appareil.
- N'autorisez pas les enfants à utiliser l'appareil. Ne les laissez pas jouer avec l'appareil. Vous n'êtes pas autorisé à monter dans les tiroirs et à vous balancer aux portes.
- L'appareil fonctionne parfaitement à température ambiante (voir fiche produit). Ne l'utilisez pas au sous-sol, chalet d'été non chauffé en automne et en hiver.
- Lors de l'installation, du déplacement et du levage de l'appareil, ne tenez pas les poignées de porte, ne tirez pas sur le condenseur à l'arrière du réfrigérateur et ne touchez pas le compresseur.
- Ne pas incliner le congélateur de plus de 40° par rapport à la position verticale lors du transport, du déplacement ou du positionnement. Si une telle situation se produit, l'appareil doit être mis en marche dans la bonne position après au moins 2 heures après le déplacement (Fig.2).
- Retirez la fiche de la prise avant tout entretien. Ne tirez pas sur le câble, mais tenez plutôt le corps La fiche électrique.
- Retirez la fiche de la prise avant tout entretien. Ne tirez pas sur le câble, mais tenez plutôt le corps de la prise électrique.
- Pour des raisons de sécurité, ne réparez pas l'appareil vous-même.

Les réparations effectuées par des personnes qui n'ont pas les qualifications nécessaires peuvent entraîner un danger grave pour l'utilisateur de l'appareil.

- Aérez la pièce où l'appareil sera placé pendant quelques minutes (la taille de la pièce pour un produit contenant de l'isobuthane/R600a doit être d'au moins 4 m³) pour éviter d'endommager le système de refroidissement.
- Ne recongelez pas les produits partiellement décongelés.
- N'entreposez pas les boissons embouteillées et en canette, en particulier les boissons gazeuses, dans le compartiment du congélateur. Les canettes et les bouteilles peuvent exploser.
- Ne mettez pas de produits congelés tirés directement du congélateur (sucettes, glaçons, etc.) dans votre bouche, car leur basse température peut causer de graves engelures.
- Assurez-vous de ne pas endommager le système de refroidissement en perforant les conduites de réfrigérant dans l'évaporateur ou en brisant les tuyaux. Le fluide frigorigène est inflammable. Si le fluide frigorigène entre en contact avec les yeux, rincez-les à l'eau claire et appelez immédiatement un médecin.
- Si le cordon d'alimentation est endommagé, il doit être remplacé par un nouveau par un professionnel.
- Cet appareil est destiné au stockage des aliments, ne l'utilisez pas à d'autres fins.
- Pour des activités telles que le nettoyage, l'entretien ou le déplacement, l'appareil doit être complètement débranché de l'alimentation (en le débranchant de la prise)
- Cet appareil peut être utilisé par des enfants âgés de 8 ans et plus ou par des personnes ayant un handicap physique, mental ou sensoriel ou par des personnes inexpérimentées ou peu familières avec l'appareil, à condition qu'elles soient supervisées ou aient été formées à l'utilisation sécuritaire de l'appareil et qu'elles connaissent les risques associés à son utilisation. Assurez-vous que les enfants ne jouent pas avec l'appareil. Le nettoyage et l'entretien de l'appareil ne doivent pas être effectués par des enfants à moins qu'ils ne soient âgés de 8 ans ou plus et qu'ils soient supervisés par une personne compétente.

Pour obtenir plus d'espace dans le congélateur, vous pouvez retirer les tiroirs et mettre la nourriture directement sur les étagères. Cela n'affecte pas les propriétés mécaniques et la capacité de refroidissement du produit. La capacité de congélation déclarée a été calculée avec les tiroirs retirés.

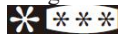
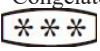



AVERTISSEMENT : Risque d'incendie / matières inflammables

- Les enfants âgés de 3 à 8 ans sont autorisés à charger et décharger les réfrigérateurs.

Pour éviter la contamination des aliments, veuillez respecter les instructions suivantes :

- L'ouverture prolongée de la porte peut entraîner une augmentation significative de la température dans les compartiments de l'appareil.
- Nettoyez régulièrement les surfaces qui peuvent entrer en contact avec les aliments et les systèmes de drainage accessibles.
- Conservez la viande et le poisson crus dans des contenants appropriés au réfrigérateur afin qu'ils n'entrent pas en contact avec d'autres aliments ou ne s'égouttent pas sur d'autres aliments.
- Les compartiments de congélation à deux étoiles conviennent au stockage des aliments congelés, au stockage ou à la fabrication de crème glacée et à la fabrication de glaçons.
- Les compartiments à une, deux et trois étoiles ne conviennent pas à la congélation d'aliments frais

	Compartiments ART	Température de stockage cible [OC]	Alimentation adéquate
1	Réfrigérateur	+2≤+8	Les œufs, les aliments cuits, les aliments emballés, les fruits et légumes, les produits laitiers, les gâteaux, les boissons et autres aliments ne conviennent pas à la congélation.
2	Congélateur 	≤-18	Fruits de mer (poissons, crevettes, crustacés), produits aquatiques d'eau douce et produits carnés (recommandés pendant 3 mois, plus le temps de stockage est long, plus le goût et la valeur nutritive sont mauvais), adaptés aux aliments frais congelés.
3	Congélateur 	≤-18	Les fruits de mer (poissons, crevettes, crustacés), les produits aquatiques d'eau douce et les produits carnés (recommandés pendant 3 mois, plus la période de stockage est longue, plus le goût et la valeur nutritive sont mauvais) ne conviennent pas aux aliments frais congelés.
4	Congélateur 	≤-12	Les fruits de mer (poissons, crevettes, crustacés), les produits aquatiques d'eau douce et les produits carnés (recommandés pendant 2 mois, plus la période de stockage est longue, plus le goût et la valeur nutritive sont mauvais) ne conviennent pas aux aliments frais congelés

5	Congélateur	≤ -6	Les fruits de mer (poissons, crevettes, crustacés), les produits aquatiques d'eau douce et les produits carnés (recommandés pendant 1 mois, plus le temps de stockage est long, plus le goût et la valeur nutritive sont mauvais) ne conviennent pas aux aliments frais congelés.
6	Compartiment 0 étoile	$-6 \leq 0$	Porc frais, bœuf, poisson, poulet, certains aliments transformés emballés, etc. (Il est recommandé de manger le même jour, de préférence pas plus de 3 jours). Aliments transformés partiellement encapsulés (aliments non congelables)
7	Froid	$2 \leq +3$	Porc, bœuf, poulet, produits aquatiques d'eau douce frais/congelés, etc. (7 jours en dessous de 0°C et au dessus de 0°C, il est préférable de consommer ces aliments sous 2 jours). Fruits de mer (moins de 0°C pendant 15 jours, il n'est pas recommandé de les conserver au-dessus de 0°C)
8	Aliments frais	$0 \leq +4$	Porc frais, bœuf, poisson, poulet, aliments cuits, etc. (Il est recommandé de manger le même jour, de préférence pas plus de 3 jours)
9	Vin	$+5 \leq +20$	Vin rouge, vin blanc, vin mousseux, etc.

- Remarque: Veuillez stocker différents aliments en fonction de la composition ou de la température de stockage de destination des produits que vous avez achetés.
- Si le réfrigérateur est vide pendant une longue période, éteignez-le, décongelez-le, nettoyez-le, séchez-le et laissez la porte ouverte pour empêcher la croissance de moisissures dans l'appareil.
- Distributeurs d'eau de nettoyage (en particulier pour les distributeurs d'eau): réservoirs d'eau propres s'ils n'ont pas été utilisés pendant 48 heures; Rincez le système d'eau raccordé à un raccordement d'eau si aucune eau n'a été prélevée pendant 5 jours.
- Conformément au règlement (UE) 2019/2019 de la Commission, la période minimale de disponibilité des pièces de rechange nécessaires à la réparation de l'équipement est de 7 ou 10 ans, selon le type et l'utilisation prévue de la pièce de rechange.
- La liste des pièces de rechange et la procédure de commande peuvent être consultées sur les sites Web du fabricant, de l'importateur ou d'un représentant autorisé.
- De plus amples informations sur le produit sont disponibles dans la base de données EPREL de l'UE sous <https://eprel.ec.europa.eu>. Pour plus d'informations, veuillez scanner le code QR sur l'étiquette énergétique avec votre appareil mobile ou saisir le modèle de produit figurant sur l'étiquette énergétique dans le moteur de recherche EPREL <https://eprel.ec.europa.eu/>

CONDITIONS D'INSTALLATION ET DE FONCTIONNEMENT DE L'APPAREIL

Cette unité de refroidissement est destinée à être utilisée comme appareil intégré.

Installation avant le premier démarrage de l'appareil

- Retirez le produit de l'emballage et retirez le ruban adhésif qui protège la porte et l'appareil. Les taches adhésives restantes peuvent être enlevées avec un détergent doux.
- Ne jetez pas les éléments en polystyrène de l'emballage. S'il est nécessaire de transporter le réfrigérateur-congélateur, emballez-le dans les éléments en polystyrène et le papier d'aluminium et protégez-le avec du ruban adhésif
- Nettoyez la surface intérieure du réfrigérateur-congélateur et les éléments de l'appareil avec un détergent dissous dans de l'eau tiède et essuyez-les.
- Placez le réfrigérateur-congélateur sur une surface plane, plane et stable, dans une pièce sèche, ventilée et ombragée, loin des sources de chaleur telles que: four, plaque de cuisson, radiateurs de chauffage central, tuyaux de chauffage central, installation d'eau chaude, etc.
- Il peut y avoir un film protecteur à l'extérieur du produit, ces films doivent être retirés.
- Assurez-vous que l'appareil est placé en position horizontale en vissant les 2 pattes avant réglables (Fig. 3)
- Pour s'assurer que la porte s'ouvre librement, la distance entre le côté de l'unité (du côté des charnières de la porte) et le mur est indiquée à la figure 5.*
- Assurer une ventilation adéquate de la pièce et la libre circulation de l'air de tous les côtés de l'appareil (Fig. 6).*

Distances minimales jusqu'aux sources de chaleur

- de cuisinières électriques et à gaz - 30 mm,
- de fours à mazout ou à charbon - 300 mm,
- de fours encastrés - 50 mm

S'il n'est pas possible de respecter les distances ci-dessus, prévoir un panneau isolant approprié.

Avertissement:

- La paroi arrière du réfrigérateur, en particulier le condenseur et les autres éléments du système de refroidissement, ne doit pas entrer en contact avec d'autres éléments susceptibles de l'endommager (par exemple, les tuyaux de chauffage central et les tuyaux d'alimentation en eau).
- Il est interdit de réajuster ou de modifier toute partie de l'appareil. Il est essentiel que le tube capillaire visible autour du compresseur ne soit pas endommagé. Le tuyau ne doit pas être plié, redressé ou enroulé.
- Si le tube capillaire est endommagé par l'utilisateur, la garantie sera annulée (Fig. 8).
- Dans certains modèles, la poignée est livrée dans l'appareil, vous devez la visser avec votre propre tournevis,

Branchement

- Avant de se connecter, il est recommandé de régler le régulateur de température sur « OFF » ou une autre position qui déconnecte l'appareil de l'alimentation (voir la page décrivant le contrôleur).
- Cet appareil doit être branché sur une prise secteur de 220-240 V et 50 Hz. La prise doit être correctement montée et installée sur un circuit d'alimentation électrique protégé par un fusible de 10 A.

- C'est une exigence légale que l'appareil soit correctement mis à la terre. Le fabricant n'est pas responsable des dommages ou blessures pouvant résulter du non-respect de cette exigence.
- N'utilisez pas d'adaptateurs, de multiprises et de rallonges à deux fils. Si la rallonge doit être utilisée, elle doit être équipée d'une bague de protection et d'une seule prise et avoir un certificat de sécurité VDE/GS.
- Si une rallonge électrique (munie d'un anneau de protection et d'un certificat de sécurité) est utilisée, sa sortie doit être à une distance sécuritaire des éviers et ne doit pas se trouver dans un endroit où elle pourrait être inondée par l'eau ou les eaux usées.
- Pour les spécifications détaillées, veuillez vous référer à la plaque signalétique sur la partie inférieure de la paroi intérieure de l'appareil **.

Déconnexion du réseau électrique

Assurez-vous que l'appareil peut être facilement déconnecté du secteur, soit en le débranchant de la prise, soit en éteignant le disjoncteur bipolaire (Fig. 9).

Zone climatique

Les informations sur la plage de climat de l'appareil se trouvent sur la plaque signalétique. Il indique à quelle température ambiante (c'est-à-dire la température ambiante à laquelle l'appareil fonctionne) le fonctionnement de l'appareil est optimal (correct).

Classe climatique		Température ambiante admissible
SN	Zone tempérée élargie	Cette unité de refroidissement est destinée à être utilisée à une température ambiante comprise entre 10 °C et 32 °C
N	Tempéré	Cette unité de refroidissement est destinée à être utilisée à une température ambiante comprise entre 16 °C et 32 °C
ST	Subtropical	Cette unité de refroidissement est destinée à être utilisée à une température ambiante comprise entre 16 °C et 38 °C
T	Tropical	Cette unité de refroidissement est destinée à être utilisée à une température ambiante comprise entre 16 °C et 43 °C

* Appareils autonomes uniquement

** Selon le modèle

DÉBALLER



Pendant le transport, un emballage de protection a été utilisé pour protéger l'appareil contre les dommages. Après le déballage, veuillez éliminer tous les éléments d'emballage de manière à ne pas nuire à l'environnement.

Tous les matériaux utilisés pour l'emballage de l'appareil sont respectueux de l'environnement. Ils sont 100% recyclables et marqués du symbole approprié. Important! Les matériaux d'emballage (sacs, polyéthylène, polystyrène, etc.) doivent être tenus à l'écart des enfants lors du déballage.

ÉLIMINATION DE L'ÉQUIPEMENT USAGÉ



Conformément à la directive européenne 2012/19/UE et à la législation locale sur les déchets d'équipements électriques et électroniques, ces équipements sont marqués du symbole du conteneur à déchets barré. Ce marquage indique que l'appareil ne doit pas être jeté avec d'autres ordures ménagères après utilisation.

L'utilisateur est tenu de les remettre à un point de collecte des déchets qui collecte les équipements électriques et électroniques usagés. Les collecteurs, y compris les points de collecte locaux, les magasins et les autorités locales, proposent des systèmes de recyclage.

Une manipulation appropriée des équipements électriques et électroniques usagés permet d'éviter les risques pour l'environnement et la santé résultant de la présence de composants dangereux et d'un stockage et d'un traitement inadéquats de ces marchandises.

CONTRÔLE

Contrôles de périphérique

Le panneau de commande est illustré à la figure 10. À titre de référence, il est également indiqué ci-dessous:



Régler la température à l'intérieur de l'appareil

1. Lorsque l'appareil est connecté à l'alimentation, il démarre au niveau 4.
2. Lorsque vous ouvrez la porte du réfrigérateur, le rétroéclairage du panneau de commande s'allume et l'éclairage du compartiment réfrigérateur est allumé. Le ventilateur du réfrigérateur s'éteint. Après 1 minute après avoir ouvert la porte, vous entendrez un bip. Environ 7 minutes après avoir ouvert la porte, l'éclairage s'éteint. Fermez et réouvrez la porte pour rallumer les lumières. Lorsque la porte du réfrigérateur est ouverte, le panneau de commande s'allume. Lorsque vous fermez la porte, la lumière est immédiatement éteinte et le rétroéclairage du panneau de commande s'éteint après 1 minute.
3. Appuyez sur (1) pour régler la température dans la chambre. Sélectionnez le réglage entre 1 et 6. 1 — la température la plus élevée; 6 — la température la plus basse.
Appuyez longuement sur (2) pendant 3 secondes pour éteindre l'appareil. Le bouton s'allume et l'alimentation est coupée. L'éclairage de la chambre de refroidissement et du compresseur s'éteint. Appuyez sur le bouton et maintenez-le enfoncé pendant 3 secondes pour ouvrir le bouton Réutilisez l'appareil. L'indicateur s'allume lorsque l'appareil est allumé.
Les modèles avec évaporateur apparent ont la fonction de dégivrage forcé. Pour effectuer des travaux de nettoyage ou d'entretien, retirez le givre de l'évaporateur du congélateur. Appuyez simultanément sur les boutons (1) et (2) et maintenez-les enfoncés pendant 3 secondes pour activer le dégivrage forcé. Le bouton (1) clignote. La fonction est désactivée lorsque la température atteint 10–12 °C. Appuyez simultanément sur les boutons (1) et (2) et maintenez-les enfoncés pendant 3 secondes. Vous pouvez désactiver la fonction de dégivrage forcé à tout moment. Le bouton cesse de clignoter.
4. Cet appareil peut afficher des erreurs et déclencher une alarme. En cas d'erreur, un code d'erreur s'affiche sur l'affichage de la température et l'appareil continue de fonctionner.

Informations supplémentaires sur la température

- La température à l'intérieur de l'appareil est affectée par de nombreux facteurs. La température du congélateur est gérée automatiquement à -18°C. La façon dont vous réglez le régulateur de température dépend de la température ambiante, de la quantité de lumière solaire, de la fréquence d'ouverture de la porte et de la quantité de nourriture stockée. Le réglage du milieu du cadran est le plus optimal dans la plupart des cas.
- Ne mettez pas les aliments dans le réfrigérateur et le congélateur avant qu'ils n'atteignent leur température de fonctionnement, ce qui prend au moins 4 heures.
- Ne modifiez pas les réglages de température en raison du changement de saison. L'augmentation de la température ambiante est détectée par la sonde et le compresseur est automatiquement mis en marche pendant une période prolongée pour maintenir la température de consigne dans les 2 parties.
- Les légères fluctuations de température sont tout à fait normales et peuvent se produire, par exemple, lors du stockage de grandes quantités de produits frais au réfrigérateur ou lors de l'ouverture prolongée de la porte. Cela n'affecte pas l'état des aliments stockés et la température revient rapidement à la valeur définie.

Ajustez l'humidité dans le tiroir VitControl

(Fig. 17)

Divers produits, tels que les fruits ou les légumes, ont besoin d'une humidité suffisante pour rester frais plus longtemps. Le boîtier VitControl est équipé d'un curseur (Fig. 17) afin que plus d'air puisse être fourni à la boîte, ce qui modifie l'humidité dans la boîte.

1. Couvercle de boîte
2. Curseur pour régler l'alimentation en air
3. Caisse de légumes à l'avant


Les fruits ont besoin de moins d'humidité, l'alimentation en air doit donc être ouverte avec un curseur. Pour les légumes, c'est l'inverse, pour les garder frais plus longtemps, vous devez fermer le flux d'air avec un curseur. L'emplacement exact du curseur dépend de vos préférences.

PS: L'énoncé ci-dessus n'est disponible que si le produit dispose d'un régulateur d'humidité.

FONCTIONNEMENT ET FONCTIONS

Conservation des aliments dans le réfrigérateur-congélateur


- Les produits doivent être emballés dans des assiettes, dans des récipients ou dans du papier d'aluminium. Étalez-les uniformément sur les étagères.
- Si l'aliment entre en contact avec la paroi arrière, les produits en contact avec le mur de froid peuvent geler et être mouillés.
- Ne mettez pas de plats avec des aliments chauds dans le réfrigérateur
- Les produits qui absorbent facilement les saveurs, tels que le beurre, le lait, le fromage blanc et les produits à saveur intense, tels que le poisson, les viandes fumées, les fromages à pâte dure, doivent être placés sur des étagères, emballés dans des emballages alimentaires ou stockés dans des récipients hermétiquement fermés.
- L'entreposage de légumes contenant des quantités importantes d'humidité entraînera le dépôt de condensation sur les contenants de légumes et n'affectera pas le bon fonctionnement du réfrigérateur.
- Avant de mettre les légumes au réfrigérateur, séchez-les bien.
- Une humidité excessive raccourcit la durée de conservation des légumes, en particulier des légumes à feuilles.
- Ne lavez pas les légumes avant de les conserver au réfrigérateur. Le lavage supprime la protection naturelle, il est donc préférable de laver les légumes juste avant de les manger.
- Il est recommandé de placer les produits dans les tiroirs du congélateur 1, 2, 3* jusqu'à la capacité de chargement naturelle (Fig. 11a / 11b).**

1. Produits emballés
2. Étagère
3. Résilience naturelle
4. 

- L'empilage des produits dans les étagères du congélateur est acceptable.*
- Il est permis de placer les produits de 20 à 30 mm en dehors de la capacité de charge naturelle.**
- Pour augmenter la capacité de chargement de la chambre de congélation et permettre aux produits d'être empilés sur les étagères métalliques de l'évaporateur congélateur à la hauteur maximale, il est possible de retirer les tiroirs 1 et 2.*

Congélation des aliments **

- Pratiquement tous les aliments, à l'exception des légumes à consommer crus, comme la laitue, peuvent être congelés.
- Seuls les produits alimentaires de la plus haute qualité, divisés en petites portions à usage unique, doivent être congelés.
- Les produits doivent être emballés dans des matériaux inodores, résistants à la pénétration de l'air et de l'humidité et non sensibles aux graisses. Les sacs en plastique, le polyéthylène et les feuilles d'aluminium sont les meilleurs matériaux d'emballage.
- L'emballage doit être serré et doit coller aux produits congelés. N'utilisez pas de contenants en verre.
- Conservez les aliments frais et chauds à température ambiante loin des produits déjà congelés.
- Nous vous recommandons de ne pas dépasser la capacité d'aliment frais à congeler par jour (voir le tableau des spécifications techniques).
- Pour obtenir une qualité optimale des aliments surgelés, disposez les aliments qui se trouvent au centre du congélateur afin qu'ils ne touchent pas les produits qui n'ont pas encore été congelés.
- Il est recommandé de pousser les produits déjà congelés sur le côté et de placer les produits frais qui doivent être congelés du côté opposé, aussi près que possible des parois arrière et latérales.

- Pour congeler les produits, utilisez le compartiment marqué. 
- Gardez à l'esprit que la température dans le congélateur est affectée par plusieurs facteurs, y compris la température ambiante et la quantité de nourriture dans le compartiment, la fréquence d'ouverture de la porte, la quantité de givre dans le congélateur et le réglage du thermostat.
- Si vous ne parvenez pas à ouvrir la porte du congélateur immédiatement après la fermeture, attendez 1 à 2 minutes que la pression négative s'égalise et essayez de rouvrir la porte.


La durée de conservation des produits congelés dépend de leur qualité avant congélation à l'état frais et de la température de stockage. Les périodes de conservation suivantes sont recommandées si la température est maintenue à -18 °C ou moins:


Produits	Mois
Bœuf	6-8
Veau	3-6
Abats	1-2
Porc	3-6
Volaille	6-8
Oeuf	3-6
Poisson	3-6
Légume	10-12
Fruit	10-12

Ne conservez pas les aliments congelés dans le compartiment de fabrique à glaçons. Les glaçons peuvent être préparés et stockés dans ce compartiment.

Remarque : Si l'appareil n'a pas de compartiment congélateur (), il ne convient pas à la congélation des aliments.

* Applicable aux appareils avec un compartiment congélateur au bas de l'appareil.

** Applicable aux appareils avec compartiment congélateur 

Ne s'applique pas aux appareils munis d'un compartiment congélateur marqué 

UTILISATION EFFICACE DU RÉFRIGÉRATEUR

Conseils pratiques pour la vie quotidienne

- Ne placez pas les réfrigérateurs ou les congélateurs près des radiateurs, des appareils de chauffage, des fours ou de la lumière directe du soleil.
- Assurez-vous que les événements ne sont pas couverts et enlevez la poussière une ou deux fois par an.
- Choisissez la bonne température : 6 à 8 °C au réfrigérateur et -18 °C au congélateur suffisent.
- Si vous êtes en vacances, augmentez la température dans votre réfrigérateur.
- N'ouvrez pas votre réfrigérateur ou votre congélateur à moins que cela ne soit nécessaire. Cela aide si vous savez quels aliments chacun contient et où il se trouve. Remettez les aliments au réfrigérateur ou au congélateur dès que possible après utilisation afin qu'ils ne chauffent pas trop.
- Essuyez régulièrement l'intérieur de votre réfrigérateur avec un chiffon imbibé d'un détergent doux. Les appareils qui ne sont pas autodégivrés doivent être dégivrés régulièrement. Ne laissez pas apparaître de couches de givre d'une épaisseur supérieure à 10 mm.
- Gardez le joint autour de la porte propre, sinon il ne fermera pas correctement. Remplacez toujours les joints défectueux.

Comprendre les étoiles



La température est d'au moins -6 °C; suffisant pour stocker les aliments congelés pendant environ une semaine. Les tiroirs ou les compartiments marqués d'un astérisque étaient autrefois une caractéristique des réfrigérateurs (pour la plupart) entrée de gamme.



Les aliments peuvent être conservés à -12 °C ou moins pendant 1-2 semaines sans perdre leur saveur. Ne convient pas à la congélation des aliments.



Cette classification est principalement utilisée pour stocker les aliments à -18 °C ou moins. Peut également être utilisé pour congeler jusqu'à 1 kilogramme d'aliments frais. Cet appareil convient à l'entreposage des aliments à -18 °C ou moins et à la congélation de plus grandes quantités d'aliments frais.



Conseils pratiques

En raison de la circulation naturelle de l'air dans l'appareil, il existe différentes zones de température dans le compartiment du réfrigérateur.

- La zone la plus froide est juste au-dessus des tiroirs à légumes. Utilisez cette section pour tous les aliments délicats et périssables, tels que :
 - Poisson, viande, volaille
 - Charcuterie, plats cuisinés
 - Vaisselle ou produits de boulangerie contenant des œufs ou de la crème
 - Pâte fraîche, mélanges à gâteaux
 - Les légumes préemballés et les autres aliments frais munis d'une étiquette doivent être conservés à une température d'environ 4 °C.

La zone la plus chaude est située dans la partie supérieure de la porte. Utilisez-le pour stocker le beurre et Fromage.

Aliments qui ne doivent pas être conservés au réfrigérateur

- Tous les aliments ne conviennent pas à la conservation au réfrigérateur, en particulier:
 - Fruits et légumes sensibles au froid, tels que les bananes, l'avocat, la papaye, les fruits de la passion, les aubergines, les poivrons, les tomates et les concombres.
 - Fruit, qui n'est pas encore mûr
 - Pomme de terre

Avertissement:

Exemple d'entreposage des aliments - voir la figure 12.

Pour obtenir la conservation des aliments la plus efficace et éviter le gaspillage alimentaire, positionnez les produits comme illustré à la figure 12. De plus, cette illustration illustre la disposition des tiroirs, des paniers et des étagères, ce qui permet une utilisation plus efficace de l'énergie.

La température et les conditions de stockage optimales prolongent la durée de conservation des produits et optimisent la consommation d'énergie. La plage de température de stockage optimale doit être indiquée sur l'emballage alimentaire.

DÉCONGÉLATION, LAVAGE ET ENTRETIEN

Ne nettoyez jamais le boîtier ou les parties en plastique du produit avec des solvants ou des agents de nettoyage abrasifs puissants (p. ex. poudres à laver ou crèmes)! N'utilisez que des détergents liquides doux et des chiffons doux. N'utilisez pas d'éponges.

Dégivrer le réfrigérateur ***

- Le givre se dépose sur la paroi arrière de la chambre de refroidissement. Il sera supprimé automatiquement. Lors du dégivrage, le condensat contaminé peut obstruer la goulotte de dégivrage. Si tel est le cas, nettoyez soigneusement l'ouverture avec le bouchon de nettoyage (Fig. 13).
- L'appareil fonctionne par cycles : il refroidit (puis le givre se dépose sur le mur du fond) et dégèle (l'eau coule le long du mur du fond)
- Avant de nettoyer, débranchez l'appareil du secteur en le débranchant de la prise ou en éteignant le disjoncteur. Empêcher l'eau de pénétrer dans le panneau de commande ou le luminaire.
- N'utilisez pas d'aérosols à décongeler. Ils peuvent provoquer un mélange explosif ou contenir des solvants qui peuvent endommager les parties en plastique de l'appareil et même être nocifs pour la santé.
- Assurez-vous que l'eau utilisée pour le nettoyage ne s'écoule par la goulotte de dégivrage du mur de froid.
- L'ensemble de l'appareil, à l'exception du joint de porte, doit être nettoyé avec un détergent doux. Le joint de porte doit être nettoyé à l'eau et essuyé.
- Lavez tous les accessoires (contenants de légumes, balconnet, tablettes en verre, etc.).

Décongeler la chambre de congélation comme suit:**

- Allumez l'appareil à l'aide du panneau de commande et retirez la fiche de la prise.
- Ouvrez la porte et sortez les aliments du congélateur.
- Selon le modèle, retirez le tuyau de vidange, situé au fond du compartiment congélateur, et placez un récipient approprié en dessous.
- Laissez la porte ouverte, cela accélérera le processus de dégivrage. De plus, une casserole d'eau chaude (non bouillante) peut être placée au congélateur.
- Lavez l'intérieur du congélateur et essuyez-les.
- Allumez l'appareil en fonction de l'élément correspondant dans le manuel d'instructions.

Dégivrage automatique du réfrigérateur ****

La chambre de refroidissement a été équipée d'une fonction de dégivrage automatique. Néanmoins, le givre peut se déposer sur le mur de froid dans le réfrigérateur. Cela se produit généralement lorsque de grandes quantités d'aliments frais sont stockées dans le réfrigérateur.

Dégivrage automatique du congélateur ****

La chambre de congélation est équipée d'une fonction de dégivrage automatique (No-Frost). Dans l'air de circulation refroidi, les aliments sont congelés et l'humidité est dissipée de la chambre de congélation vers l'extérieur. Par conséquent, il n'y a pas de glace et de givre dans le congélateur et les produits ne gèlent pas les uns contre les autres.

Lavage manuel du réfrigérateur et de la chambre de congélation ****

Il est recommandé de laver les chambres de réfrigération et de congélation au moins une fois par an. Cela empêche la formation de bactéries et de mauvaises odeurs. Éteignez l'appareil avec le bouton (1), retirez les aliments des chambres et lavez-les avec de l'eau et un détergent doux. Ensuite, essuyez les chambres avec un chiffon.


Sortez-le et mettez-le sur les étagères *****

Faites glisser l'étagère vers l'extérieur, puis faites-la glisser aussi loin que possible afin que la pince s'insère dans la rainure du guide (Fig. 15).

Retrait et insertion de l'étagère de porte *****

Soulevez l'étagère de la porte, retirez-la et remettez-la dans la position souhaitée par le haut (Fig.16).

AVERTISSEMENT! En aucun cas, vous ne devez mettre un radiateur électrique, un radiateur soufflant ou un sèche-cheveux au congélateur.

- ** Applicable aux appareils avec compartiment congélateur 
Ne s'applique pas aux appareils dotés d'un système antigel.
- *** Applicable aux appareils avec compartiment réfrigérateur
Ne s'applique pas aux appareils dotés d'un système antigel.
- **** Applicable aux appareils dotés d'un système antigel.
- ***** Ne s'applique pas aux congélateurs

DÉPANNAGE

Problèmes	Causes possibles	Remède
L'appareil ne fonctionne pas	probleme d'alimentation électrique	<ul style="list-style-type: none"> - Vérifiez que la fiche est correctement insérée dans la prise - Vérifiez que le cordon d'alimentation de l'appareil n'est pas endommagé - Vérifiez s'il y a de la tension dans la prise en connectant un autre appareil, tel qu'une lampe de nuit - Vérifiez que l'appareil est allumé en réglant le thermostat sur une position supérieure à 0.
L'éclairage dans le réfrigérateur ne fonctionne pas	L'ampoule est lâche ou fusionnée (Hors d'usage les appareils avec éclairage de l'ampoule)	- Insérez l'ampoule correctement ou remplacez-la (voir section ci-dessus « Remplacement de l'ampoule d'éclairage intérieur »)
L'appareil fonctionne en continu	Réglage incorrect du bouton de réglage Voir. « La température à l'intérieur de l'appareil n'est pas assez basse pour décrire d'autres causes possibles.	- Réinitialisez le bouton à une position plus basse Voir. « La température à l'intérieur de l'appareil n'est pas assez basse pour décrire d'autres remèdes possibles
L'eau s'accumule dans la partie inférieure de l'appareil et se retrouve sous l'appareil	Le trou de sortie d'eau est bouché (selon le modèle) Entrée d'air extérieur	<ul style="list-style-type: none"> - Nettoyez l'ouverture de la goulotte de dégivrage (voir mode d'emploi –chapitre « Décongélation du réfrigérateur ») - Veiller à ce que le joint de la porte adhère sur toute la partie du cadre de l'appareil.
L'appareil produit des bruits inhabituels	Nivellement incorrect de Mise à niveau L'appareil touche des meubles et/ou d'autres objets	<ul style="list-style-type: none"> - Nivelez correctement Mettez à niveau - Placer l'appareil dans un endroit où une distance suffisante est assurée

Problèmes	Causes possibles	Remède
La température à l'intérieur de l'appareil n'est pas assez basse ou trop élevée	Réglage incorrect du bouton de réglage	- Réinitialisez le bouton à une position plus élevée
	La température ambiante est supérieure ou inférieure à la plage climatique indiquée dans le tableau des spécifications techniques	- L'appareil est adapté pour fonctionner dans la plage climatique du tableau avec les spécifications techniques.
	L'appareil est situé dans un endroit ensoleillé ou à proximité de sources de chaleur	- Déplacez l'appareil vers un autre emplacement. Respectez les directives contenues dans le manuel d'instructions
	Trop d'aliments chauds chargés à la fois	- Attendez 72 heures que les aliments refroidissent (gelent) et atteignent la température souhaitée dans la chambre - Placez les aliments et les contenants de manière à ce qu'ils ne touchent pas la paroi arrière du réfrigérateur
	Circulation interne de l'air obstruée	- Placez l'appareil à au moins 30 mm du mur
	La porte du réfrigérateur/congélateur est ouverte trop souvent et/ou laissée ouverte trop longtemps	- Réduire la fréquence d'ouverture de la porte et/ou raccourcir le temps d'ouverture de la porte
	La porte ne se ferme pas complètement	- Placez les aliments et les récipients de manière à ce qu'ils n'interfèrent pas avec la porte fermée
	Le compresseur est allumé trop rarement	- Vérifier que la température ambiante n'est pas inférieure à la classe climatique
	Joint de porte mal inséré ou sortie de son logement	- Appuyer sur le joint pour lui faire reprendre sa place.

Lors d'une utilisation normale du réfrigérateur, certains bruits sont entendus qui n'interfèrent pas avec son bon fonctionnement.

Bruits faciles à prévenir :

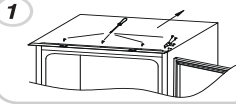
- Bruit causé par l'appareil qui n'est pas de niveau - ajustez la position avec les pieds de direction réglables. Alternativement, vous pouvez placer des coussinets en matériau souple sous les rouleaux arrière, surtout si l'appareil est placé sur des carreaux.
- Touchez le meuble adjacent - rangez le réfrigérateur.
- Grincement des tiroirs ou des étagères - Retirez le tiroir ou l'étagère et remettez-le en place.
- Sons de claquements de bouteilles - Écartez les bouteilles.

Le bruit entendu lors d'une utilisation normale est principalement dû au fonctionnement du thermostat, du compresseur (mise en marche) et du système de refroidissement (dilatation thermique et contraction du radiateur en raison du débit du liquide de refroidissement).

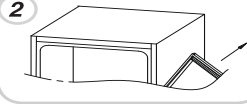
INSTALLATION

INVERSER L'OUVERTURE DES PORTES

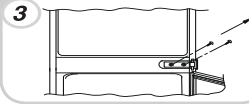
Retirez la plaque supérieure et la charnière à l'aide d'un tournevis.



Retirez la porte supérieure.



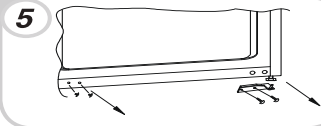
Retirez la charnière centrale et la goupille de connexion en dessous.



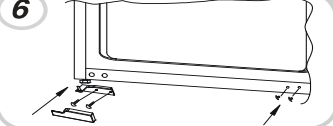
Retirez la porte inférieure.



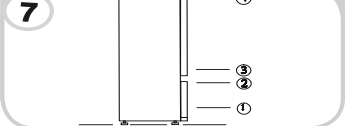
Retirez la charnière inférieure droite et les bouchons en plastique gauche et remettez-les du côté opposé.



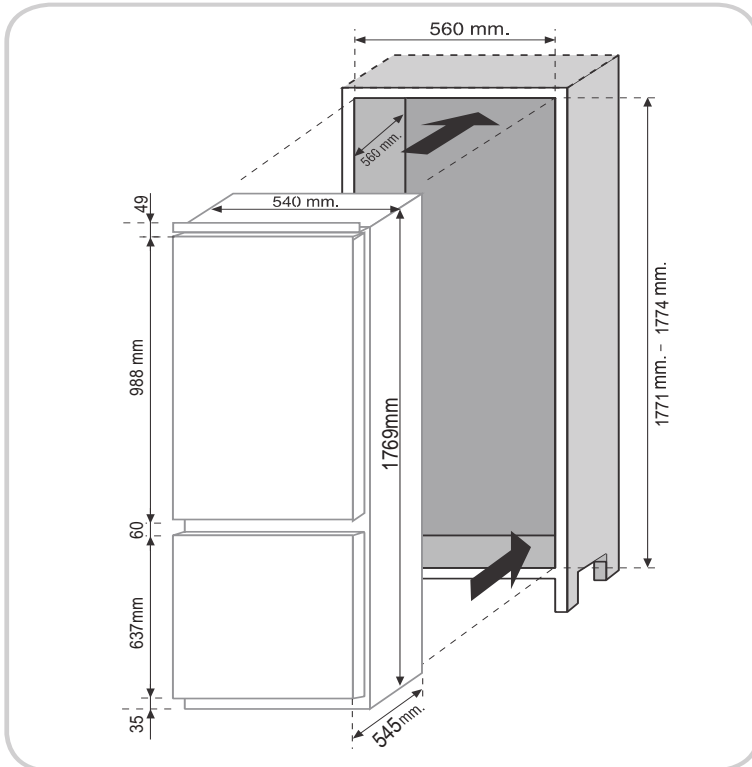
Utilisez la charnière et le couvercle opposés et placez-les dans le bas gauche.



Installez les portes et les charnières de bas en haut, de 1 à 4.

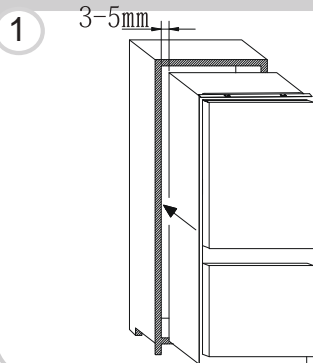


DIMENSIONS DU PRODUIT ET COMPARTIMENT INTÉGRÉ

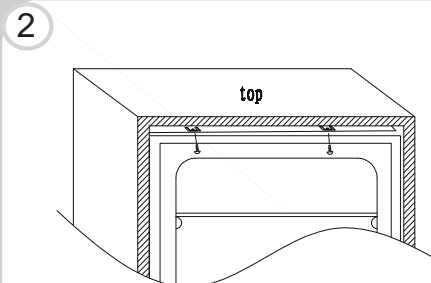


INSTALLATION DE L'APPAREIL DANS LA COLONNE

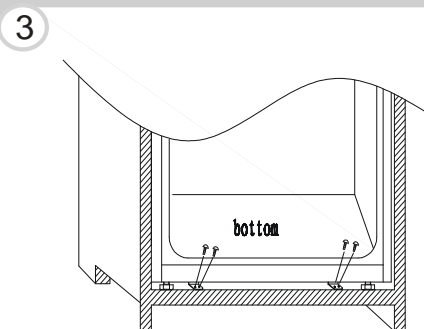
Insérez l'appareil dans la colonne, placez-le du côté opposé des charnières, en maintenant une distance de 3 à 5 mm.



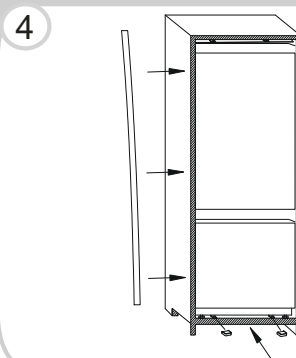
Après avoir assuré la correspondance entre la porte de l'appareil et la porte du pilier, vissez le haut de l'appareil à l'armoire



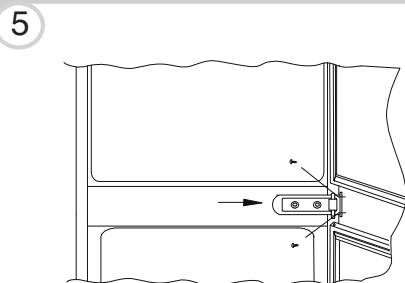
Vissez fermement la partie inférieure de l'appareil.



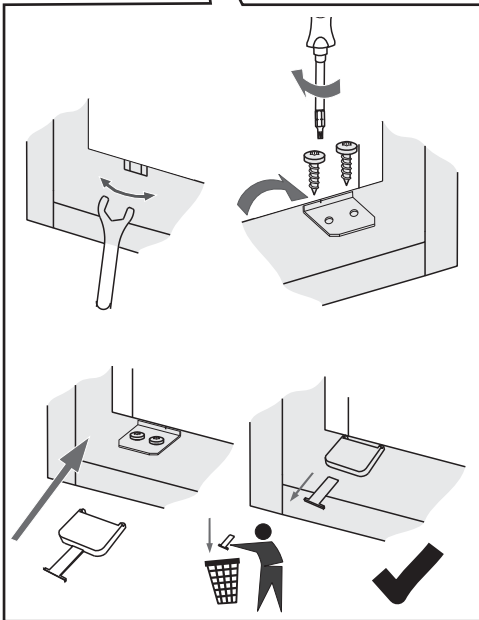
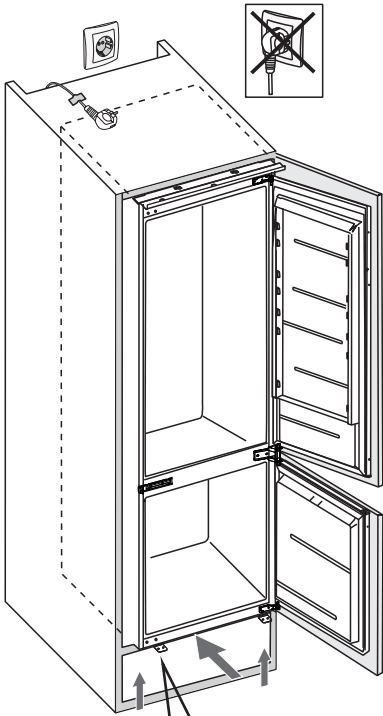
Fixez le joint à l'appareil, si nécessaire, coupez la partie excédentaire. Assemblez les parties inférieures avec des couvercles en plastique.



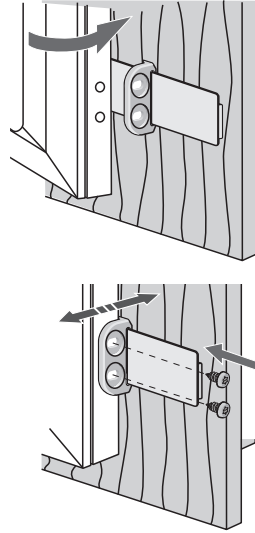
Utilisez un tournevis cruciforme pour desserrer la goupille de connexion sous la charnière centrale droite et ajustez-la pour la visser au mur droit de l'armoire.



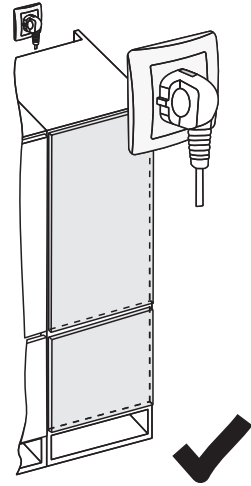
6



7



8



TEKA



www.teka.com